

BENDABLE SERENADE IP SURFACE / CONCEALED

OUTDOOR / LINEAR

ambience

MAKING LIGHT WORK



PHYSICAL

Installation Method Fixed Surface Mounted

Accessories Bottom feed 1M WP+DC CON single end, Custom feed, Side feed 1M WP+DC CON single end

IP Rating IP67

Finish Black, White

ELECTRICAL

Wattage 18W/m

Voltage 24V

Dimming Control All types (order separately)

MEDIUM



WIDE



FLOOD



RoHS



OPTICAL

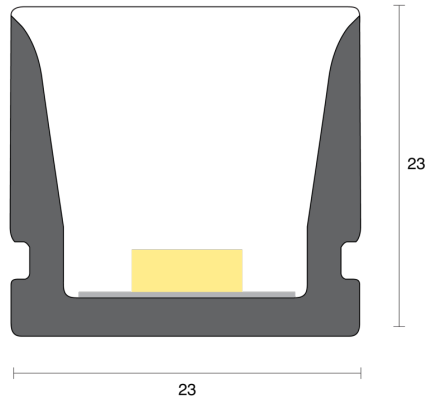
Distribution	Medium / Wide / Flood
CCT	2400K, 2700K, 3000K, 3500K, 4000K, 5000K, 6500K
CRI	CRI90
System Efficacy	0lm/W
Lifetime (L70B50)	50,000hrs(indoor); 36,000hrs(outdoor)

ADDITIONAL

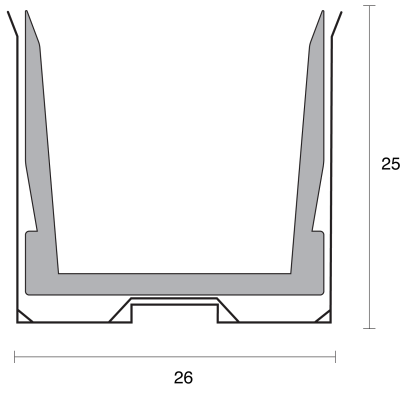
LED Module	SMD3030 24LEDs/m
LED Driver	Remote
Warranty	3 Years
Add-Ons	Minimum bending radius is 180mm; Max. length is 10m with power at single end and 20m with power at both ends. Also available in IP67 option.



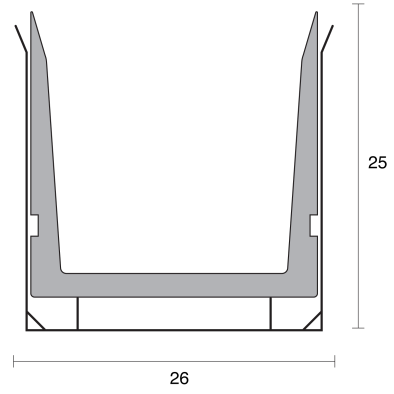
IP67



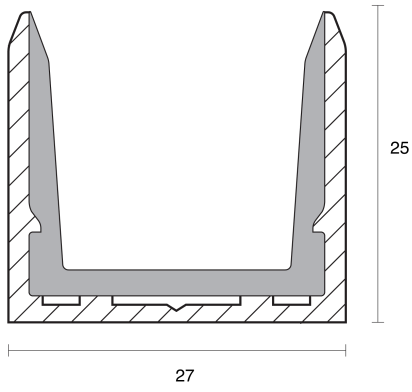
Bendable Serenade Dual Bend



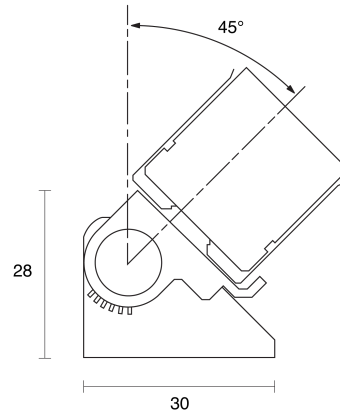
Mounting Clip



Flexible Aluminium Channel



Aluminium Profile



Rotatable Bracket