

BENDABLE SERENADE SURFACE / CONCEALED

INDOOR / LINEAR

ambience

MAKING LIGHT WORK



PHYSICAL

Installation Method Fixed Surface Mounted

Accessories

Bottom feed 1M WP single end, Bottom feed 3M FIG8 single end, Custom feed, End feed 1M WP single end, End feed 3M FIG8 single end, Side feed 3M FIG8 single end

IP Rating

IP20, IP44

Finish

Black, White

ELECTRICAL

Wattage

18W/m

Voltage

24V

Dimming Control

All types (order separately)

MEDIUM



WIDE



FLOOD



RoHS



OPTICAL

Distribution	Medium / Wide / Flood
CCT	2400K, 2700K, 3000K, 3500K, 4000K, 5000K, 6500K
CRI	CRI90
System Efficacy	0lm/W
Lifetime (L70B50)	50,000hrs(indoor); 36,000hrs(outdoor)

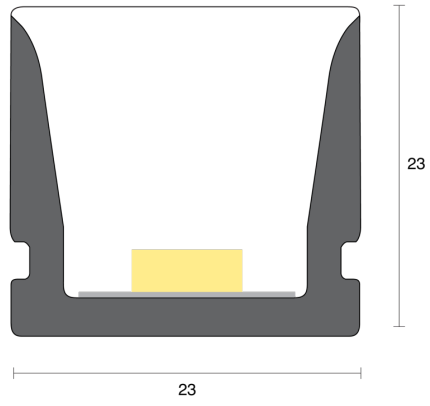
ADDITIONAL

LED Module	SMD3030 24LEDs/m
LED Driver	Remote
Warranty	3 Years
Add-Ons	Minimum bending radius is 180mm; Max. length is 10m with power at single end and 20m with power at both ends. Also available in IP44 option.

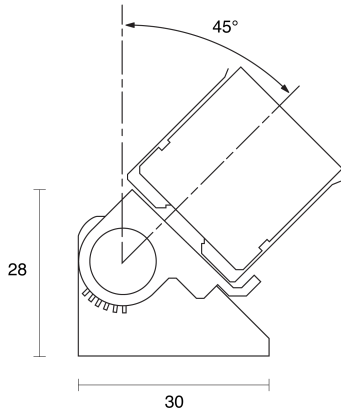


IP20

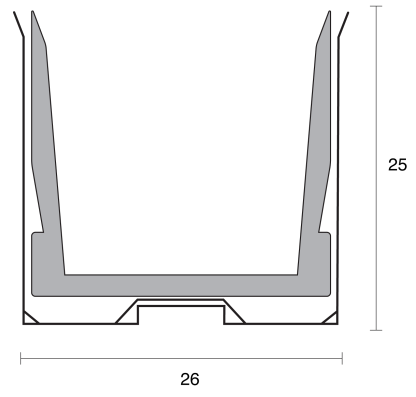
IP44



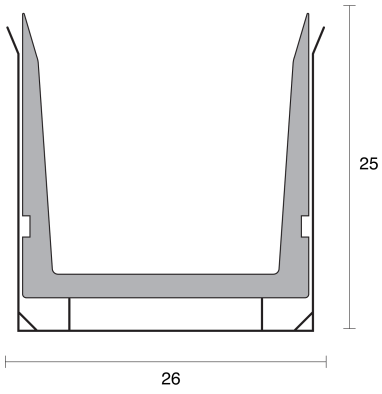
Bendable Serenade Dual Bend



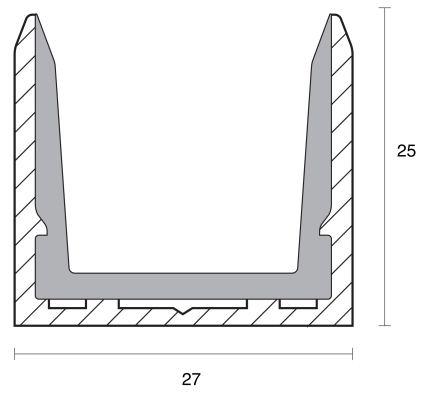
Rotatable Bracket



Mounting Clip



Flexible Aluminium Channel



Aluminium Profile