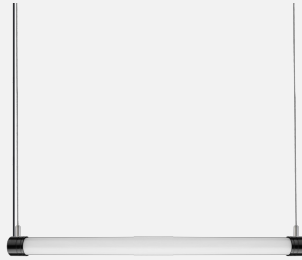


# TWIN STICK SUSPENDED (HORIZONTAL)

INDOOR / PENDANT

ambience

MAKING LIGHT WORK



## PHYSICAL

Size	XS, S, M
Installation Method	Flex Suspended (Horizontal)
Accessories	Acid Yellow Sleeve, Candlelight Sleeve, Candy Pink Sleeve, Chrome Green Sleeve, Ice Blue Sleeve, Lavendar Sleeve, Leaf Green Sleeve, Light Orange Sleeve, Light Red Sleeve, No Sleeve, Orange Sleeve, Pink Sleeve, Purple Sleeve, Red Sleeve, Royal Blue Sleeve, Sky Blue Sleeve
IP Rating	IP20
Finish	Aluminium End Caps, Black End Caps, Custom End Caps, White End Caps

## ELECTRICAL

Wattage	11W, 19W, 27W
Voltage	24V
Dimming Control	Non-Dim/Dimmable (to be ordered separately)



RoHS

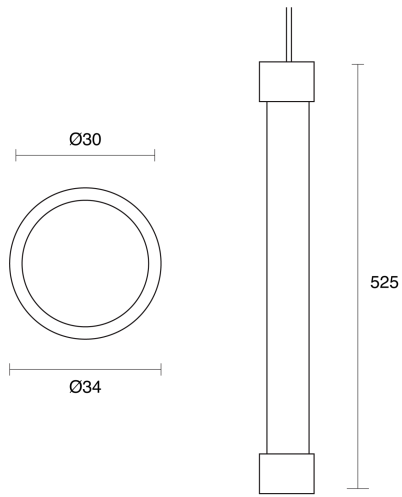


**O P T I C A L**

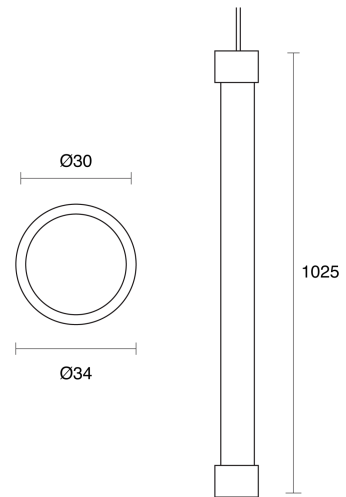
Optic	PC Diffuser
Distribution	Flood 360°
CCT	2700K, 3000K, 4000K
CRI	CRI90
System Lumen	549lm - 2015lm
System Efficacy	Up to 75lm/W
Light Output Ratio	80
Lifetime (L70B50)	50000hrs

**IP20****A D D I T I O N A L**

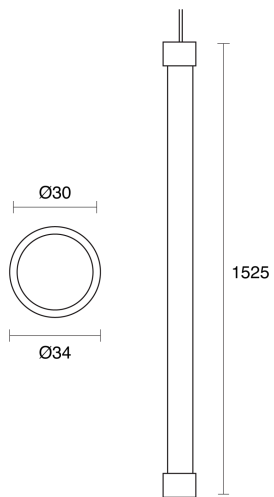
LED Module	SMD
LED Driver	Remote
Warranty	3 Years



**Twin Stick XS**



**Twin Stick S**



**Twin Stick M**