

FLUX TWIN ADJUSTABLE RECESSED

INDOOR / DOWNLIGHT

ambience

MAKING LIGHT WORK



PHYSICAL

| | |
|---------------------|--|
| Size | XS, S |
| Installation Method | Adjustable Recessed |
| Cutout Size (mm) | 208mmx100mm, 285mmx130mm |
| Accessories | Without Accessory |
| IP Rating | IP20 |
| Finish | Textured White, Textured Black, Custom |
| Tilt Angle | 24°, 25° |

ELECTRICAL

| | |
|-----------------|---|
| Wattage | 16W, 20W, 30W, 40W, 56W |
| Forward Current | 180mA, 250mA, 350mA, 500mA, 700mA |
| Voltage | 240V |
| Dimming Control | 1-10V Dimmable, DALI Dimmable, Non-Dimmable, Phase-Cut Dimmable |

NARROW



MEDIUM



WIDE



RoHS

O P T I C A L

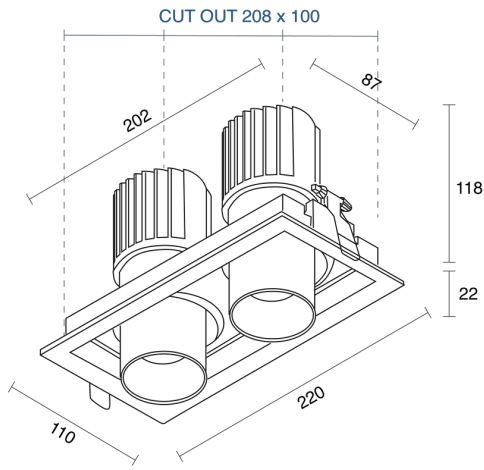
| | |
|--------------------|------------------------|
| Optic | Reflector |
| Distribution | Narrow / Medium / Wide |
| CCT | 2700K, 3000K, 4000K |
| CRI | CRI90 |
| System Lumen | 964lm - 4628lm |
| System Efficacy | Up to 95lm/W |
| Light Output Ratio | 70 |
| Lifetime (L70B50) | 50000hrs |

A D D I T I O N A L

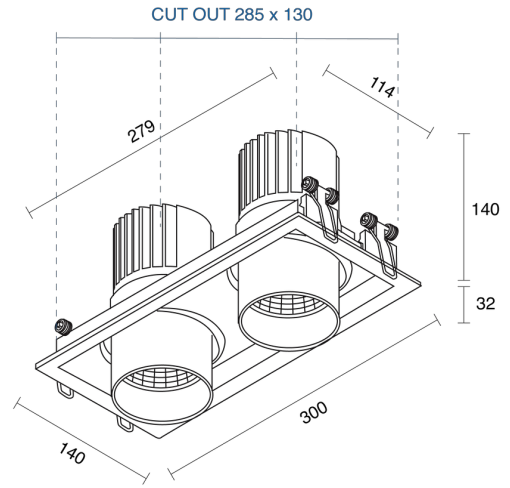
| | |
|------------|--------------------------|
| LED Module | Standard Tridonic SLE G7 |
| LED Driver | Remote |
| Warranty | 3 Years |



IP20



Flux XS Twin



Flux S Twin