

# VIRTUOSO SURFACE / SUSPENDED

INDOOR / LINEAR

ambience

MAKING LIGHT WORK



## PHYSICAL

Installation Method	Surface/Suspended
Accessories	Custom Feed, End feed 1M WP single end
IP Rating	IP44

## ELECTRICAL

Wattage	20W/m
Voltage	24V
Dimming Control	All types (order separately)



**RoHS**

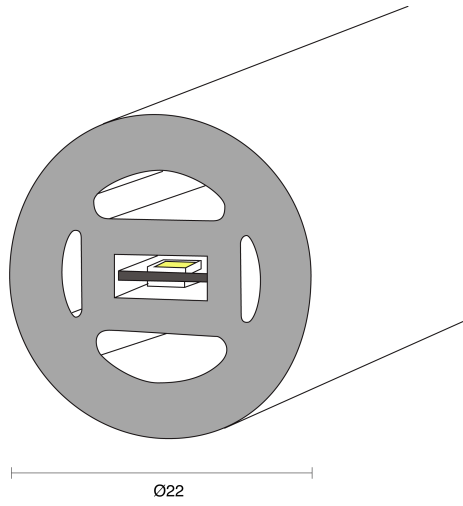


**O P T I C A L**

Distribution	Flood 360°
CCT	1800K, 2400K, 2700K, 3000K, 3500K, 4000K, 6500K
CRI	CRI90
System Lumen	950lm
System Efficacy	48lm/W
Lifetime (L70B50)	36,000hrs

**IP44****A D D I T I O N A L**

LED Module	SMD2216 300LEDs/m
LED Driver	Remote
Warranty	3 Years
Add-Ons	Dual Bend; Minimum bending radius is Ø75mm; Max. length is 5m with power at single end



**Virtuoso Dual Bend**