

# BENDABLE PICCOLO SURFACE / CONCEALED

INDOOR / LINEAR

ambience

MAKING LIGHT WORK



## PHYSICAL

Installation Method	Surface/Concealed
Accessories	Custom Feed, End feed 3M FIG8 single end
IP Rating	IP20

## ELECTRICAL

Wattage	9W/m
Voltage	24V
Dimming Control	All types (order separately)



**RoHS**



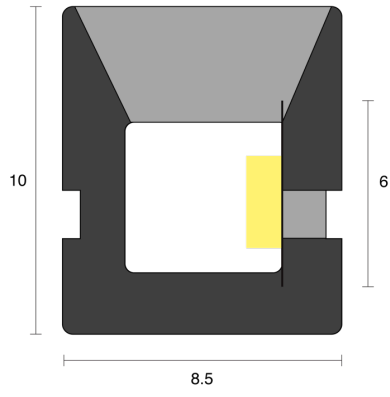
**O P T I C A L**

Distribution	Flood 120°
CCT	2200K, 2700K, 3000K, 3500K, 4000K, 5000K, 6500K, Blue, Green, Red
CRI	CRI90
System Lumen	252lm - 280lm
System Efficacy	Up to 31lm/W
Lifetime (L70B50)	50,000hrs(indoor); 36,000hrs(outdoor)

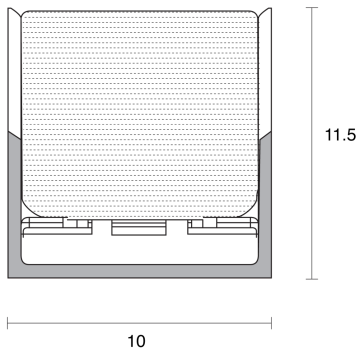
**A D D I T I O N A L**

LED Module	SMD2835 120LEDs/m
LED Driver	Remote
Warranty	3 Years
Add-Ons	Side Bend; Minimum bending radius is 100mm; Max. length is 10m with power at single end and 20m with power at both ends; Also available in IP44 option.

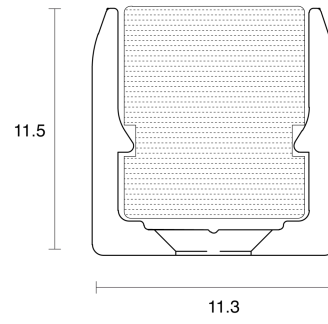
**IP20**



**Bendable Piccolo Side Bend**



**Mounting Clip**



**Aluminium Profile**