

# BENDABLE MEDLEY IP SURFACE / CONCEALED

OUTDOOR / LINEAR

ambience

MAKING LIGHT WORK



## PHYSICAL

Installation Method Surface/Concealed

Accessories

Bottom feed 1M WP+DC CON single end, Custom Feed, End feed 1M WP+DC CON single end, Side feed 1M WP+DC CON single end

IP Rating

IP67

## ELECTRICAL

Wattage

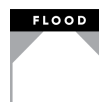
9W/m

Voltage

24V

Dimming Control

All types (order separately)



RoHS

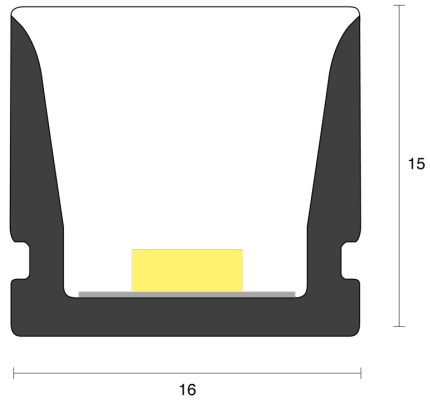


**O P T I C A L**

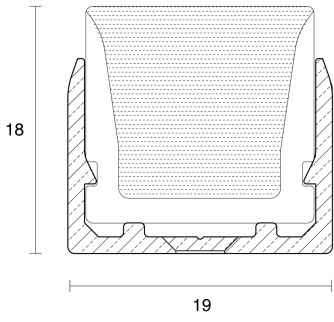
Distribution	Flood 120°
CCT	2700K, 3000K, 3500K, 4000K, 5000K, 6500K, Blue, Green, Red
CRI	CRI90
System Lumen	360lm - 400lm
System Efficacy	Up to 44lm/W
Lifetime (L70B50)	50,000hrs(indoor); 36,000hrs(outdoor)

**IP67****A D D I T I O N A L**

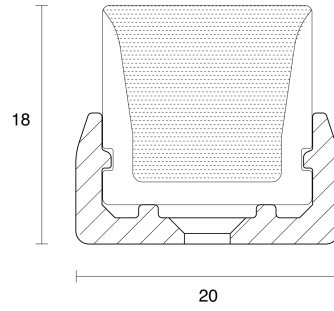
LED Module	SMD2835 120LEDs/m
LED Driver	Remote
Warranty	3 Years
Add-Ons	Dual Bend; Minimum bending radius is 60mm; Max. length is 10m with power at single end and 20m with power at both ends.



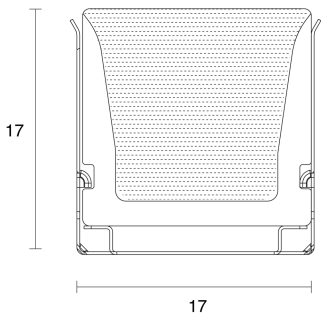
**Bendable Medley Dual Bend**



**Aluminium Profile**



**Mounting Clip**



**Flexible Aluminium Channel**