



## PHYSICAL

Size	XS, S, M
Installation Method	Inground
Cutout Size (mm)	Ø21mm (fitting), Ø25mm (housing), Ø 33mm (fitting), Ø42mm-Ø100mm (housing), Ø53mm (fitting), Ø60mm- Ø100mm (housing)
Accessories	Without Accessory
IP Rating	IP67
Finish	Anodized Aluminium, Brushed Steel, Stainless Steel

## ELECTRICAL

Wattage	1W, 2W, 6W
Voltage	24V
Dimming Control	1-10V Dimmable, DALI Dimmable, Non-Dimmable, Phase-Cut Dimmable



## OPTICAL

Optic	PMMA Lens
Distribution	/ Spot / Narrow / Medium / Wide / Flood
CCT	2700K, 3000K, 4000K
CRI	CRI90
System Lumen	105lm - 640lm
System Efficacy	Up to 125lm/W
Lifetime (L70B50)	50,000hrs

## ADDITIONAL

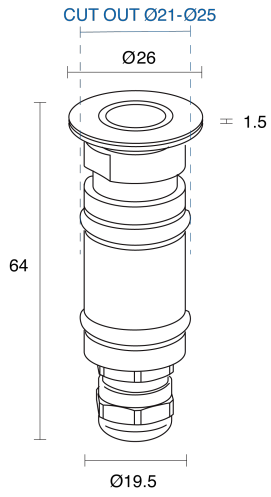
LED Module	CREE XHP35A, Nichia NVSL219C
LED Driver	Remote
Warranty	2 Years
Add-Ons	IK07 Rated, IK08 Rated



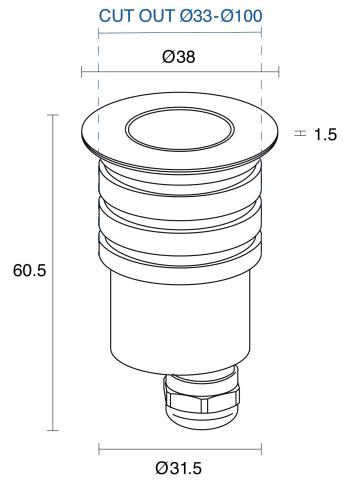
**RoHS**



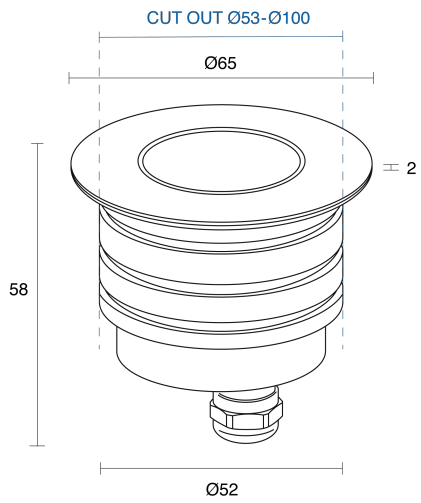
**IP67**



**Altea XS**



**Altea S**



**Altea M**