

ROLL TRACK MOUNTED

INDOOR / TRACKLIGHT

ambience

MAKING LIGHT WORK



PHYSICAL

Size	XS, S, M, L
Installation Method	Track Mounted
Accessories	Honeycomb Louvre, Without Accessory
IP Rating	IP20
Finish	White, Black, Custom
Rotate Angle	355°
Tilt Angle	90°

ELECTRICAL

Wattage	12W, 20W, 23W, 26W, 32W
Forward Current	300mA, 500mA, 600mA, 700mA, 800mA
Voltage	240V
Dimming Control	1-10V Dimmable, DALI Dimmable, Non-Dimmable, Phase-Cut Dimmable

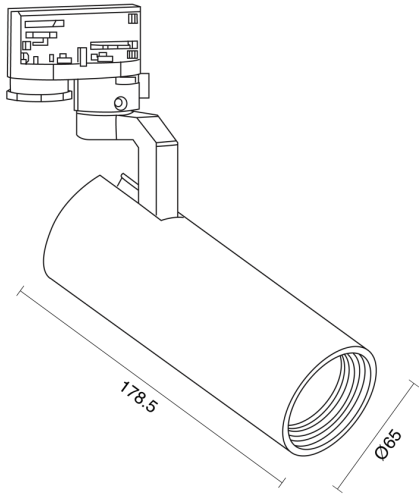


O P T I C A L

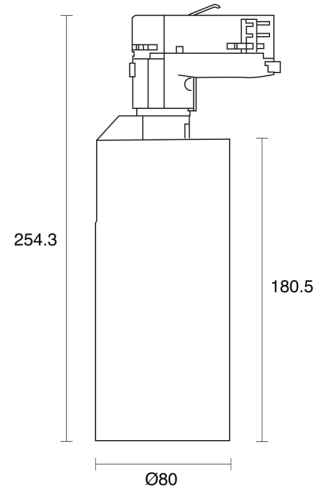
Optic	Reflector
Distribution	Narrow / Medium / Wide / Flood
CCT	2700K, 3000K, 4000K
CRI	CRI90
System Lumen	912lm - 2901lm
System Efficacy	Up to 104lm/W
Light Output Ratio	70, 75, 81, 85
Lifetime (L70B50)	50000hrs

RoHS**IP20****A D D I T I O N A L**

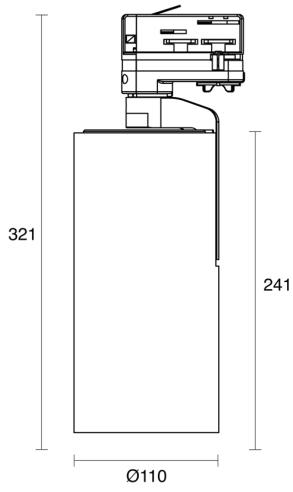
LED Module	Standard Tridonic SLE G7
LED Driver	In-track, Integral
Warranty	3 Years, 5 Years



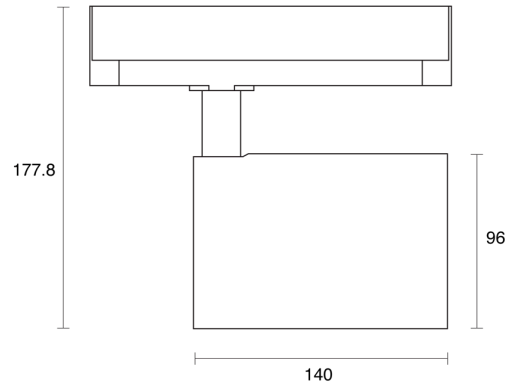
Roll XS



Roll S



Roll M



Roll L