

ROLL ADJUSTABLE SURFACE MOUNTED

INDOOR / SPOTLIGHT

ambience

MAKING LIGHT WORK



PHYSICAL

Size	XS, S, M
Installation Method	Adjustable Surface Mounted
Accessories	Honeycomb Louvre, Without Accessory
IP Rating	IP20
Finish	White, Black, Custom
Rotate Angle	355°
Tilt Angle	90°

ELECTRICAL

Wattage	12W, 20W, 23W, 26W
Forward Current	300mA, 500mA, 600mA, 700mA
Voltage	240V
Dimming Control	1-10V Dimmable, DALI Dimmable, Non-Dimmable, Phase-Cut Dimmable

NARROW



MEDIUM



WIDE



FLOOD



RoHS

OPTICAL

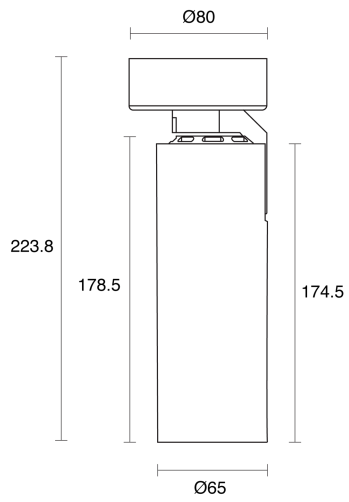
Optic	Reflector
Distribution	Narrow / Medium / Wide / Flood
CCT	2700K, 3000K, 4000K
CRI	CRI90
System Lumen	912lm - 2704lm
System Efficacy	Up to 104lm/W
Light Output Ratio	75, 81, 85
Lifetime (L70B50)	50000hrs

ADDITIONAL

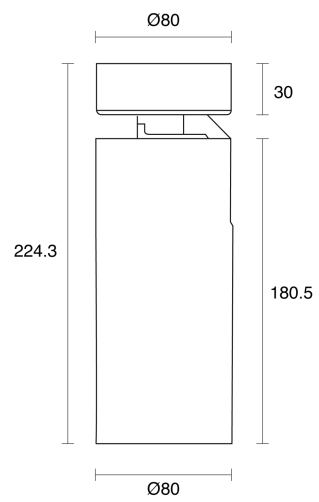
LED Module	Standard Tridonic SLE G7
LED Driver	Integral, Remote
Warranty	3 Years, 5 Years



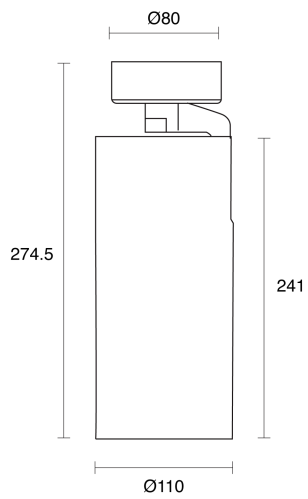
IP20



Roll XS



Roll S



Roll M