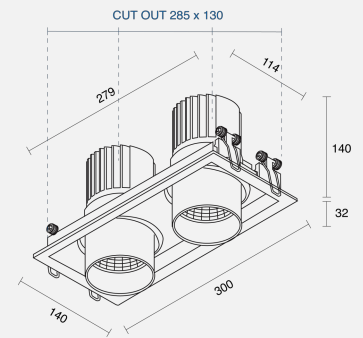


FLUX TWIN ADJUSTABLE RECESSED

INDOOR / DOWNLIGHT

ambience

MAKING LIGHT WORK



PHYSICAL

Size	S
Installation Method	Adjustable Recessed
Dimensions (mm)	300mmx140mmx172mm
Cutout Size (mm)	285mmx130mm
Accessories	Without Accessory
IP Rating	IP20
Finish	Textured White
Tilt Angle	24°

ELECTRICAL

Wattage	40W
Forward Current	500mA
Voltage	240V
Dimming Control	Phase-Cut Dimmable



RoHS



O P T I C A L

Optic	Reflector
Distribution	Medium 24°
CCT	3000K
CRI	CRI90
System Lumen	3312lm
System Efficacy	83lm/W
Light Output Ratio	70
Lifetime (L70B50)	50000hrs

IP20**A D D I T I O N A L**

LED Module	Standard Tridonic SLE G7
LED Driver	Remote
Warranty	3 Years

Order Code: ADN87AR01.930STM.40W1001

Flux S Twin Adj Rec Downlight White CRI90 3000K 3312lm 24° 2x20W 500mA Phase-Cut Dim