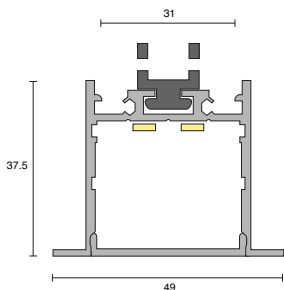
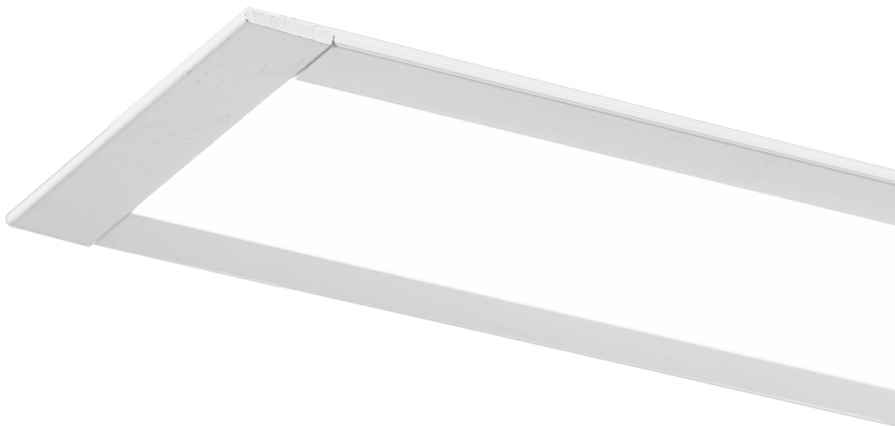


INSTALLATION GUIDE

The A B C D E F G Major of installing **symphony**



SOLO



IMPORTANT STUFF

- Please install the profile in a suitable ceiling cavity.
- This profile can only be recessed.
- Please follow our guide, if you don't strange things could happen.
- Ambience is not liable if instructions not followed.
- Tools and screws not included.
- Actual product may vary from the pictures.
- It would be sweet if you ♻️ the packaging.

PLEASE NOTE

Failure to follow installation instructions may void warranty. Please refer to our standard terms and conditions and warranty details: ambienclighting.com.au



5
YEAR

IP20

RoHS

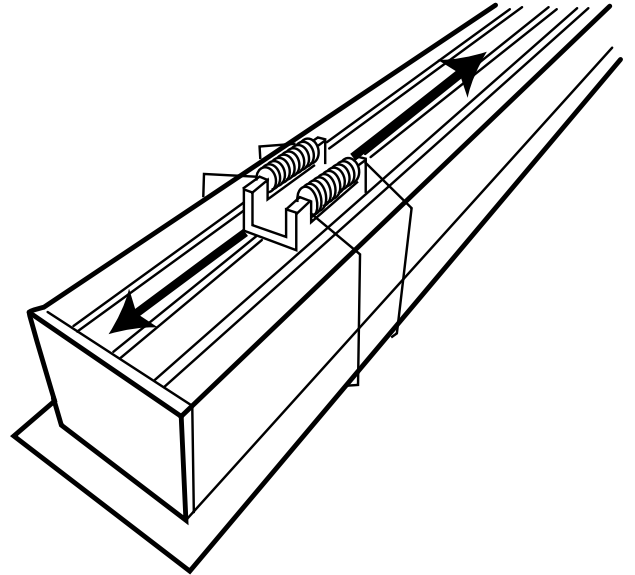
1

Let someone know you got this!



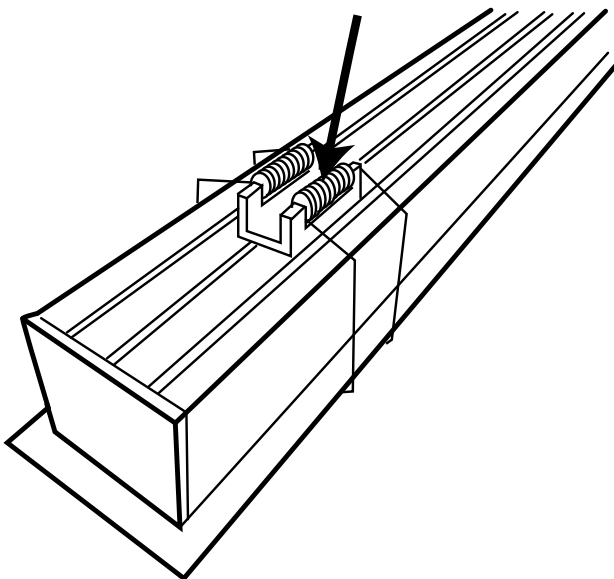
2

Adjust the spring clips to a suitable position.



3

Tighten the screw to secure the spring clip once the position has been finalised.



4

Pull the clips 180° vertically and insert the profile into the ceiling cavity made for the fitting.

