

INSTALLATION GUIDE

Everything you wanted to know but were too afraid to ask

siilo

plenty in the tank

SILO FIXED SURFACE MOUNTED



WHOA, HOLD IT!

- 1 Hit the off switch on any power before install.
- 2 Install must only be carried out by someone suitably qualified.
- 3 Only use the product at the specified voltage and frequency.
- 4 There is no four. It would be sweet though if you ♻️ the packaging.



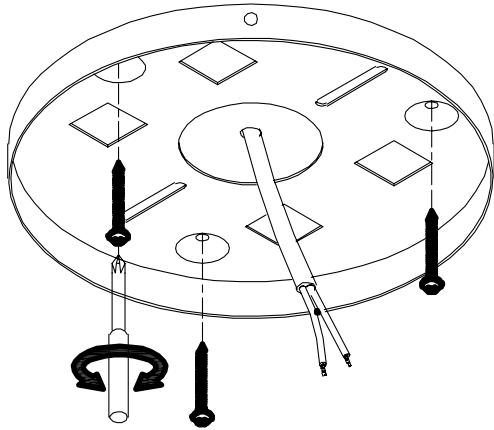
IP20

RoHS



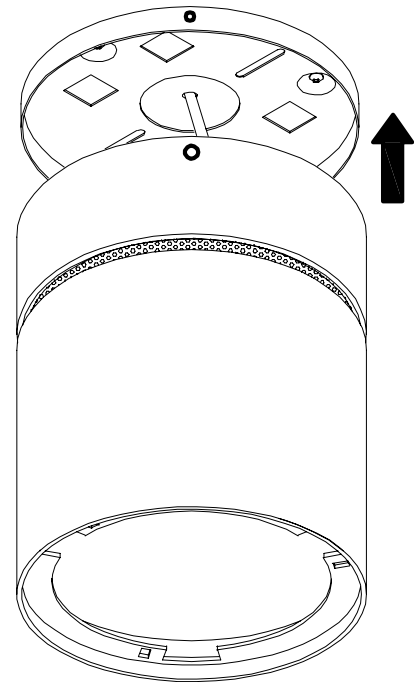
1

Fix flange on the ceiling using supplied screws.



2

Fix housing using supplied screws.



3

Fix the mounting ring by rotating clockwise.

