

## INSTALLATION GUIDE

Everything you wanted to know but were too afraid to ask

# serene

create a tranquil environment

### SERENE SUSPENDED



### WHOA, HOLD IT!

- 1 Hit the off switch on any power before install.
- 2 Install must only be carried out by someone suitably qualified.
- 3 Only use the product at the specified voltage and frequency.
- 4 There is no four. It would be sweet though if you ♻️ the packaging.



IP40

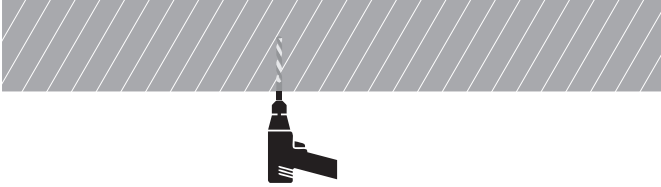
RoHS



## SUSPENDED INSTALLATION

1

Drill time! Drill holes in the ceiling.



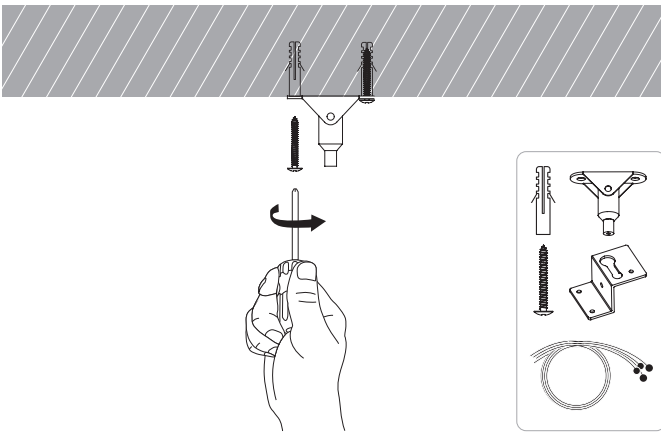
2

Hammer time! Insert plastic plugs into the holes.



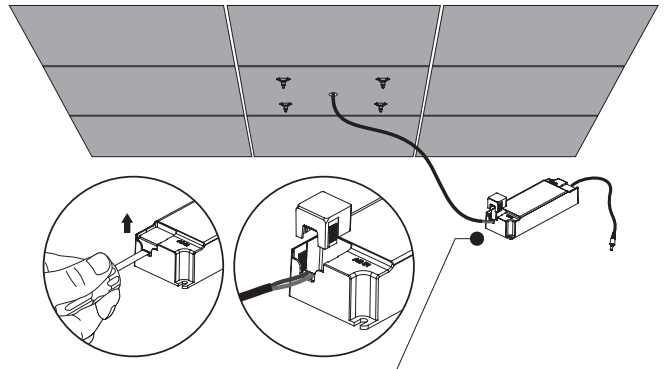
3

Fix the ceiling barrels using screws into the drilled holes.



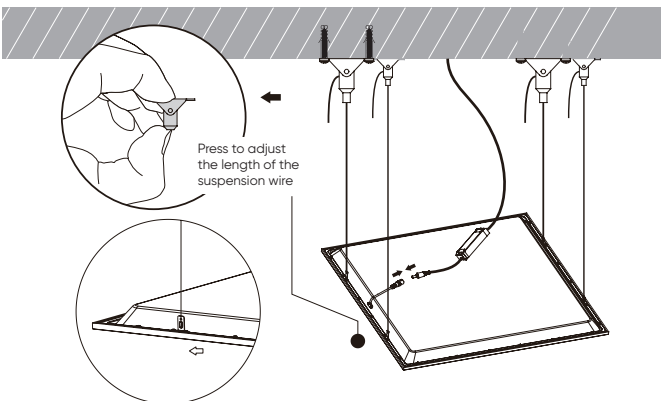
4

Connect incoming wire to primary terminals of the LED driver.



5

Pull the suspension wires through the ceiling barrels and press the barrel to adjust the length of the wires. Connect LED driver to panel.



6

Installation is complete. Have a holiday.

