

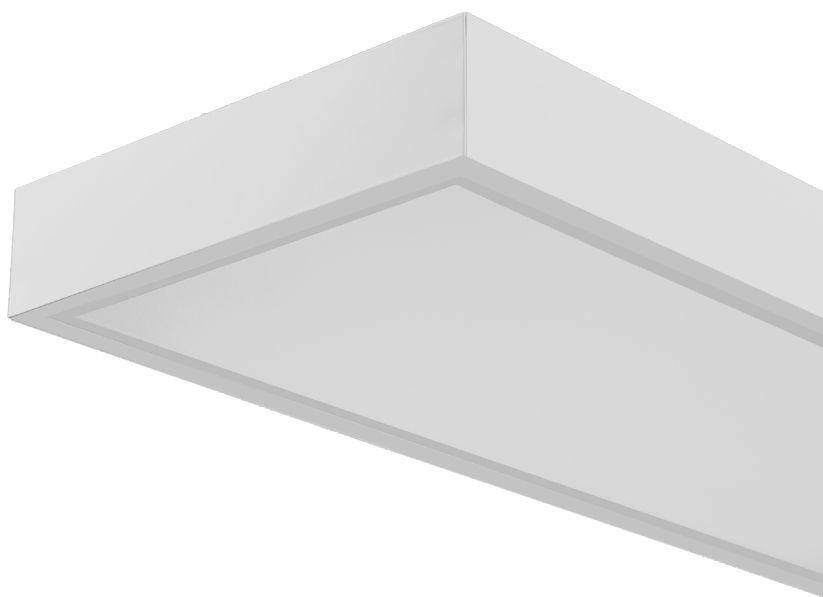
## INSTALLATION GUIDE

Everything you wanted to know but were too afraid to ask

# serene

create a tranquil environment

### SERENE FIXED SURFACE MOUNTED



#### WHOA, HOLD IT!

- 1 Hit the off switch on any power before install.
- 2 Install must only be carried out by someone suitably qualified.
- 3 Only use the product at the specified voltage and frequency.
- 4 There is no four. It would be sweet though if you ♻️ the packaging.



IP40

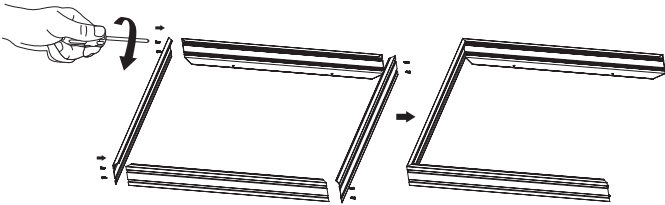
RoHS



## SURFACE MOUNT INSTALLATION

1

Assemble the frame using provided screws so that the three edges of the frame are joined together.



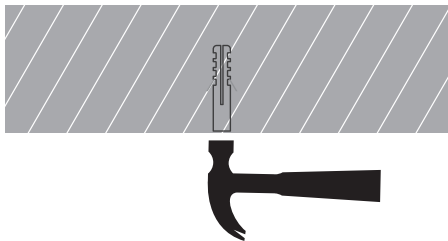
2

Drill holes in the ceiling. How much fun is drilling holes in stuff?



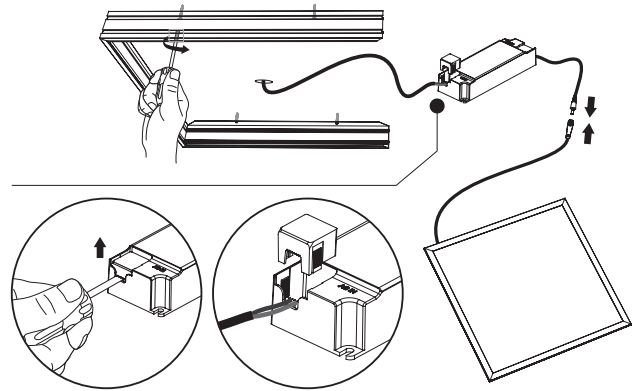
3

Insert plastic plugs into the hole.



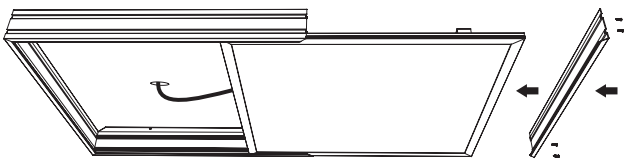
4

Fix the assembled frame on the ceiling using screws in the drilled holes. Connect incoming wire to primary terminals of the LED driver.



5

Slide the panel into the installed frame through the open side and fix frame on the open side using provided screws. Slide, slide, slide... slideroo.



6

Installation is complete. Now, make yourself a rather nice drink.

