

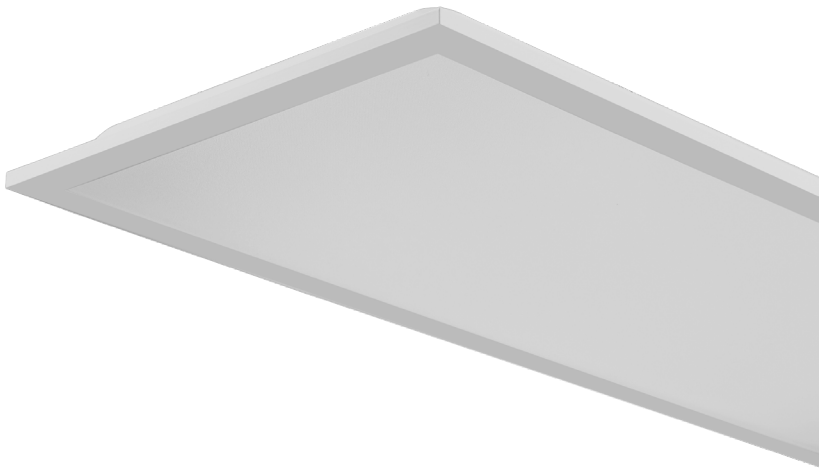
INSTALLATION GUIDE

Everything you wanted to know but were too afraid to ask

serene

create a tranquil environment

SERENE FIXED RECESSED



WHOA, HOLD IT!

- 1 Hit the off switch on any power before install.
- 2 Install must only be carried out by someone suitably qualified.
- 3 Only use the product at the specified voltage and frequency.
- 4 There is no four. It would be sweet though if you ♻️ the packaging.



IP40

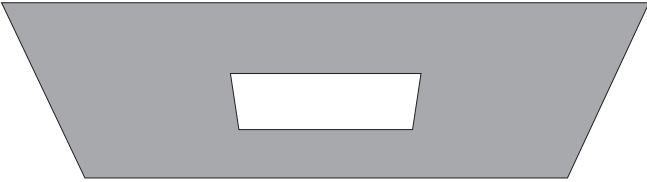
RoHS



PLASTER CEILING RECESSED INSTALLATION

1

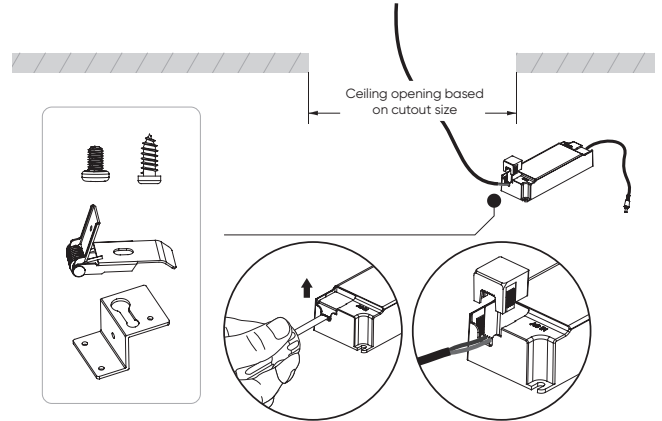
Cut a 270mm x 1170mm hole in the ceiling.



*Clips should be purchased separately as an accessory.

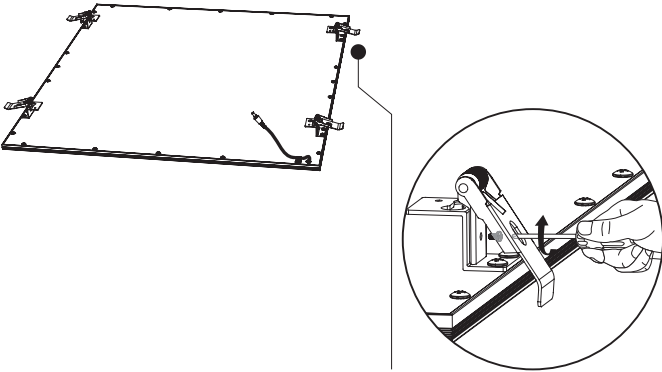
2

Connect incoming wire to the primary terminals of the LED driver.



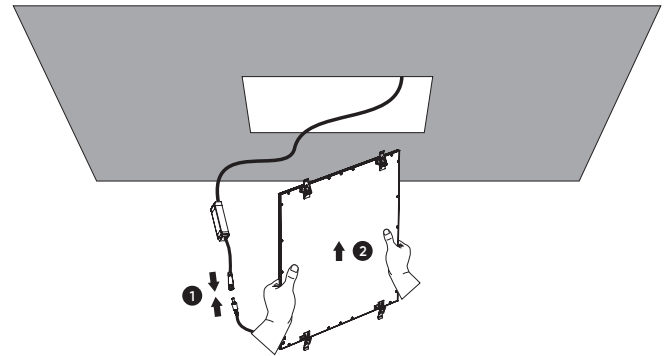
3

Install provided spring clips on the edges of the panel.



4

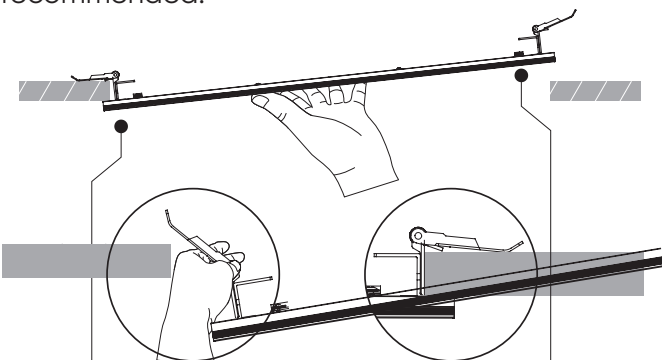
Connect the driver to the panel.



*Hands should remain attached to arms. Image for demonstration purposes only.

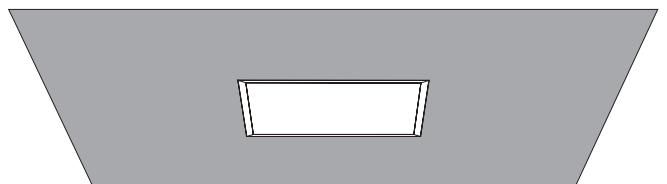
5

Compress the spring clips to insert the panel in the hole and release them so that the panel locks properly. A ceiling thickness of 8-20mm is recommended.



6

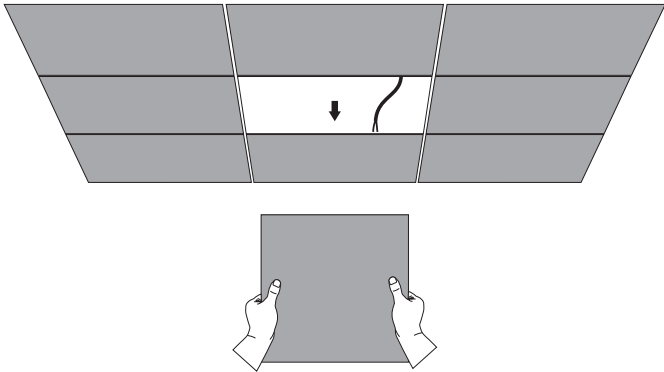
Installation is complete. Put on some Netflix.



T-BAR RECESSED INSTALLATION

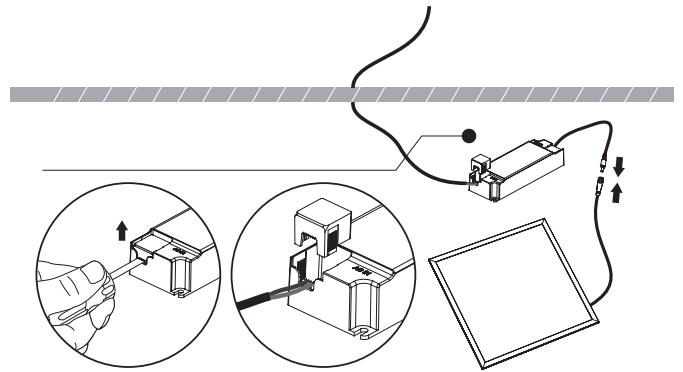
1

Remove the T-bar ceiling tile from where the panel needs to be installed.



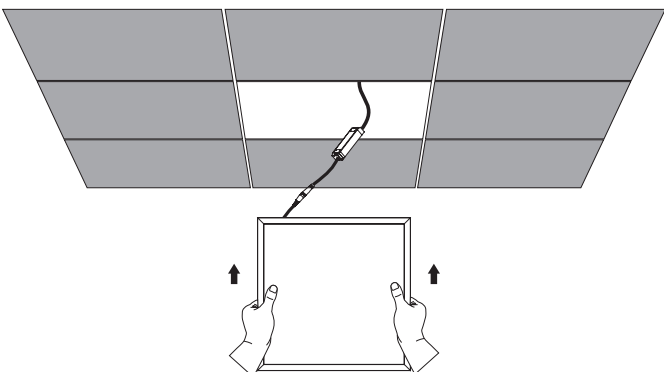
2

Connect incoming wire to the primary terminals of the LED driver.



3

And we are nearly there. Connect the panel to the LED driver and insert it onto the T-bar frame.



4

Done! Installation is complete. You are now free to do what you like.

