

INSTALLATION GUIDE

The A B C D E F G Major of installing **symphony**



SERENADE



IMPORTANT STUFF

- Please install the profile on a suitable surface.
- This profile is for surface and concealed mounting.
- Please follow our guide, if you don't strange things could happen.
- Ambience is not liable if instructions not followed.
- Tools and screws not included.
- Actual product may vary from the pictures.
- It would be sweet if you ♻️ the packaging.

RECOMMENDED REBATE SIZE FOR CONCEALED MOUNTING

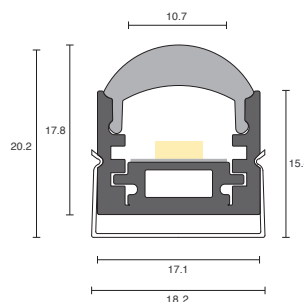
Lens protruding rebate:

19mm (W) X 16mm (H)

Lens concealed inside rebate:

19mm (W) x 21mm (H)

When concealing the profile without any mounting clips, make sure the rebate has a +0.5mm tolerance to cater for any increase in the width of the profile from powdercoating.



PLEASE NOTE

Failure to follow installation instructions may void warranty. Please refer to our standard terms and conditions and warranty details: ambienclighting.com.au



5
YEAR

IP20

RoHS

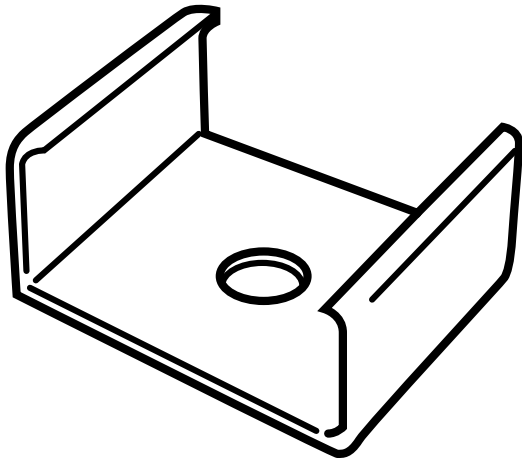
ambience

MAKING LIGHT WORK

+61 3 9486 3699
sales@ambienclighting.com.au
ambienclighting.com.au

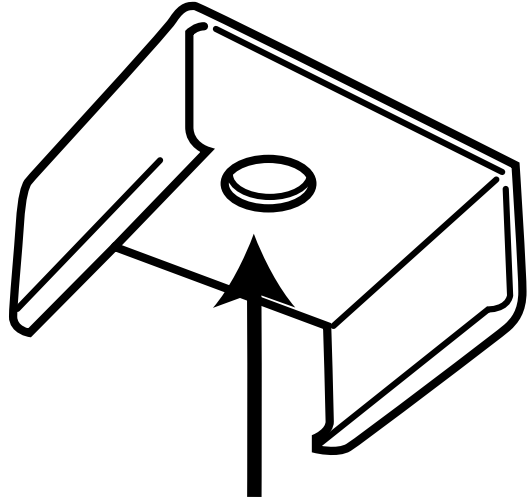
1

Locate the mounting clips provided with the profile.



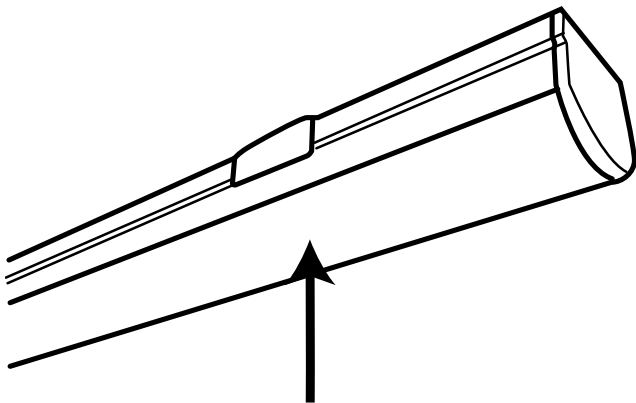
2

Mount the clips on to the surface with the help of a suitable self-tapping screw. It is recommended to use mounting clips every 750mm.



3

Insert the profile into the mounting clips.



4

Use your tools to crack open some chamfers and start serenading.

