

INSTALLATION GUIDE

The A B C D E F G Major of installing **symphony**



SERENADE



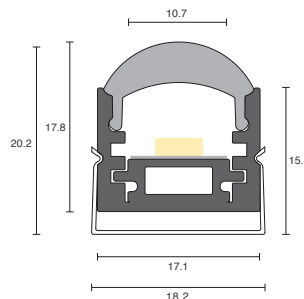
RECOMMENDED REBATE SIZE FOR CONCEALED MOUNTING

Lens protruding rebate:

19mm (W) X 16mm (H)

Lens concealed inside rebate:

19mm (W) x 21mm (H)



IMPORTANT STUFF

- Please install the profile on a suitable surface.
- This profile is for surface and concealed mounting.
- Please follow our guide, if you don't strange things could happen.
- Ambience is not liable if instructions not followed.
- Tools and screws not included.
- Actual product may vary from the pictures.
- It would be sweet if you ♻️ the packaging.

PLEASE NOTE

Failure to follow installation instructions may void warranty. Please refer to our standard terms and conditions and warranty details: ambienclighting.com.au



5
YEAR

IP20

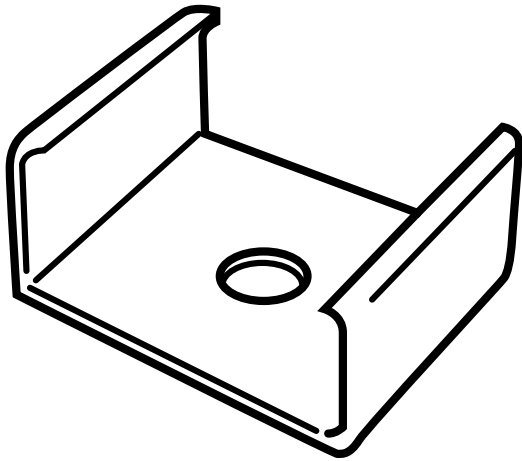
RoHS

ambience
MAKING LIGHT WORK

+61 3 9486 3699
sales@ambienclighting.com.au
ambienclighting.com.au

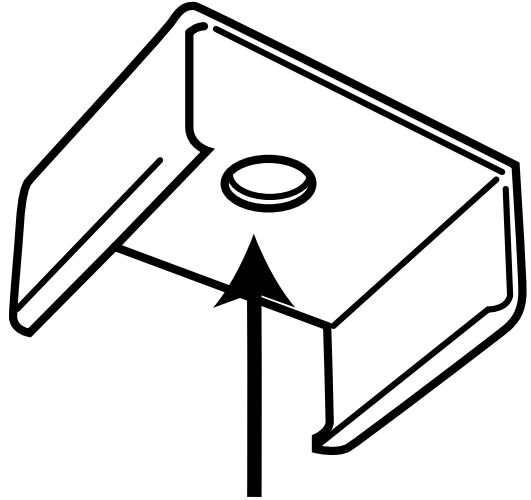
1

Locate the mounting clips provided with the profile.



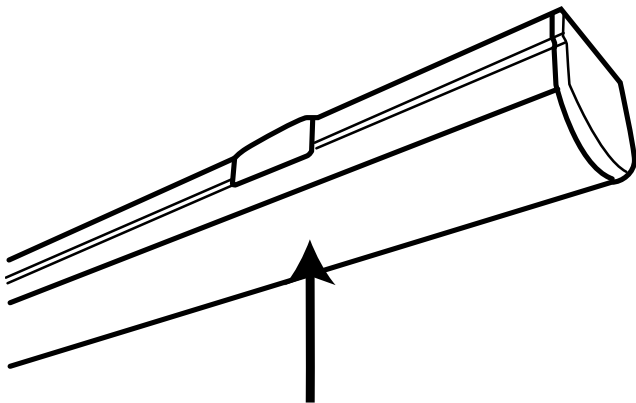
2

Mount the clips on to the surface with the help of a suitable self-tapping screw. It is recommended to use mounting clips every 750mm.



3

Insert the profile into the mounting clips.



4

Use your tools to crack open some chamfers and start serenading.

