

## INSTALLATION GUIDE

The A B C D E F G Major of installing **symphony**



### RONDO

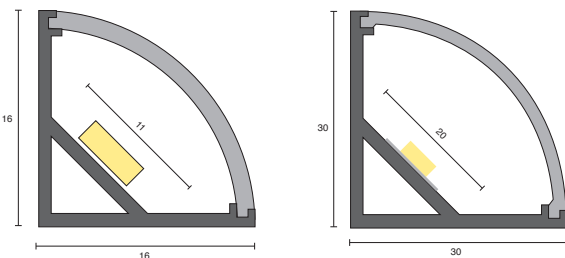


#### IMPORTANT STUFF

- Please install the profile on a suitable surface.
- This profile can only be surface-mounted.
- Please follow our guide, if you don't strange things could happen.
- Ambience is not liable if instructions not followed.
- Tools and screws not included.
- Actual product may vary from the pictures.
- It would be sweet if you ♻️ the packaging.

#### PLEASE NOTE

Failure to follow installation instructions may void warranty. Please refer to our standard terms and conditions and warranty details: [ambienclighting.com.au](http://ambienclighting.com.au)



When concealing the profile without any mounting clips, make sure the rebate has a +0.5mm tolerance to cater for any increase in the width of the profile from powdercoating.



5  
YEAR

IP20

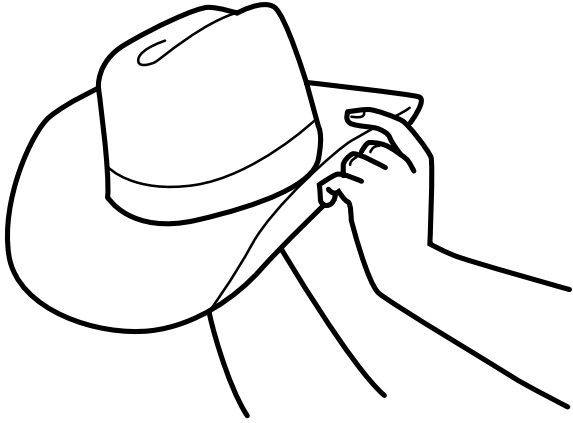
RoHS

ambience  
MAKING LIGHT WORK

+61 3 9486 3699  
[sales@ambienclighting.com.au](mailto:sales@ambienclighting.com.au)  
[ambienclighting.com.au](http://ambienclighting.com.au)

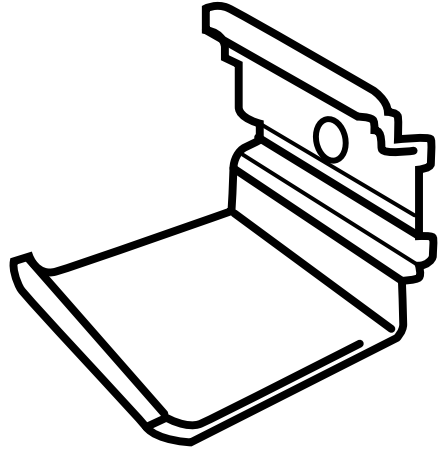
1

Put on your favourite hat (optional).



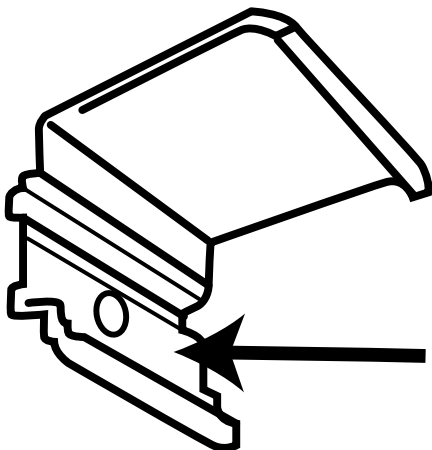
2

Locate the mounting clips provided with the profile.



3

Mount the clips on to the surface with the help of a suitable self-tapping screw as illustrated. It is recommended to use mounting clips every 750mm.



4

Insert the profile into the mounting clips as illustrated.

