

INSTALLATION GUIDE

Everything you wanted to know but were too afraid to ask

ROLL

maximum minimalism

ROLL TRACK MOUNTED XS/S/M



ROLL TRACK MOUNTED L



WHOA, HOLD IT!

- 1 Hit the off switch on any power before install.
- 2 Install must only be carried out by someone suitably qualified.
- 3 Only use the product at the specified voltage and frequency.
- 4 There is no four. It would be sweet though if you ♻️ the packaging.



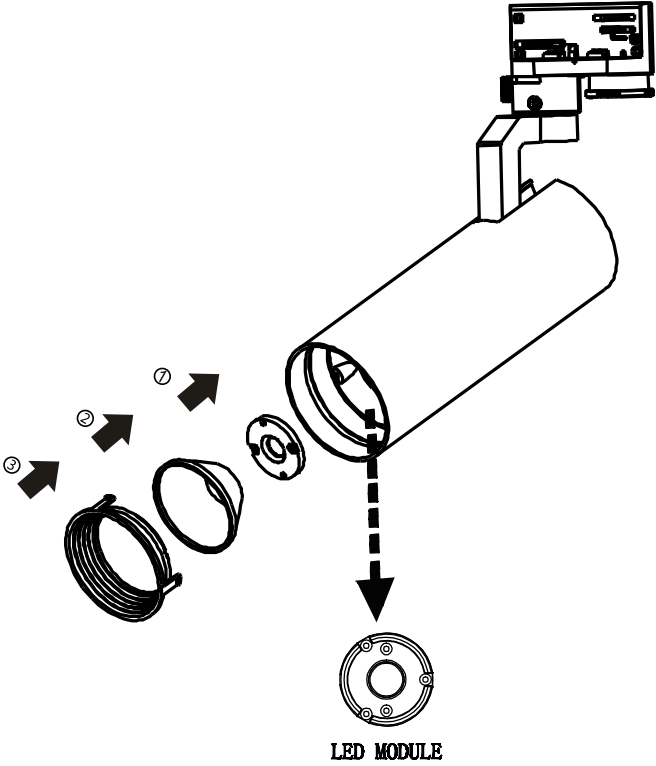
IP20

RoHS



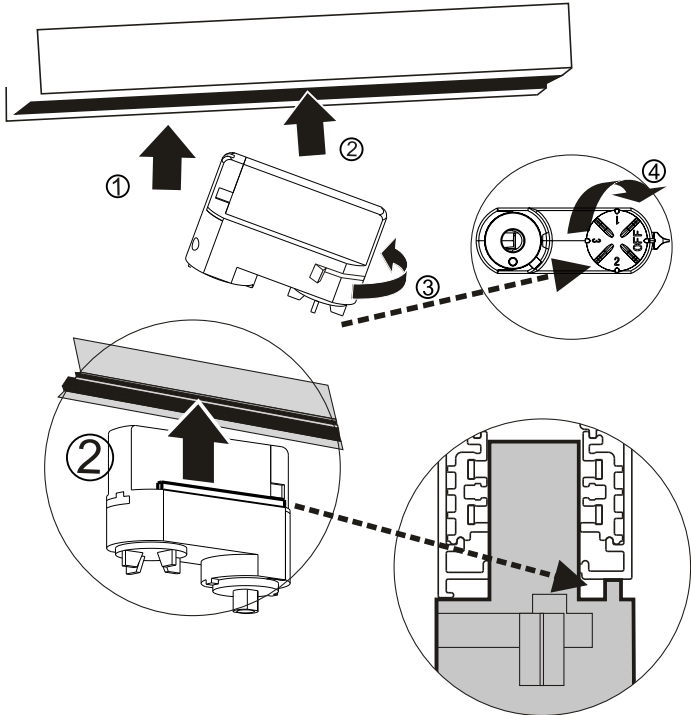
ROLL TRACK MOUNTED XS/S/M INSTALL STEPS

1 LAMP INSTALL



2 3-PHASE TRACK INSTALL

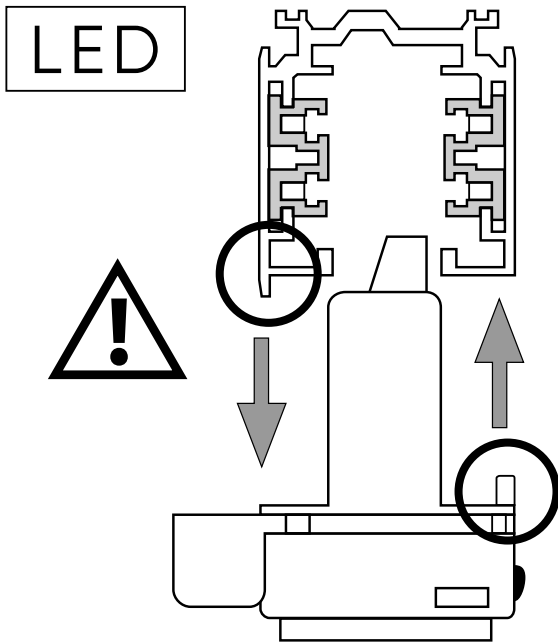
Careful amigo! Ensure track adapter is installed in the correct direction.



ROLL TRACK MOUNTED L INSTALL STEPS

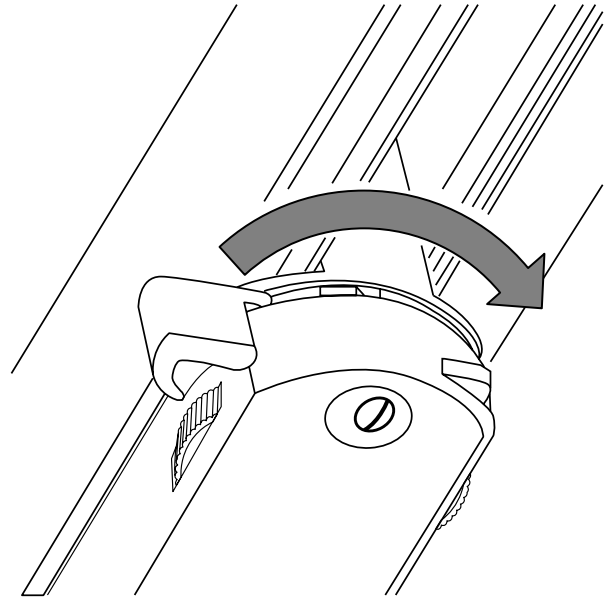
1

Carefully insert the track adaptor into the track.



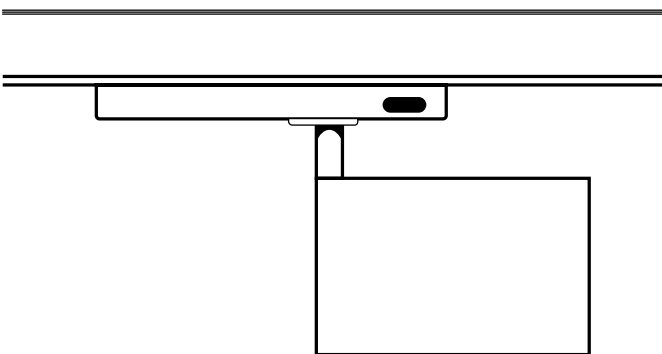
2

Rotate the latch on the adaptor such that it locks into the track.



3

Make sure that the fitting is secured in position.



4

Switch the adaptor to the correct circuit number in order to turn it ON and switch it back to 0 to turn it OFF.

