

INSTALLATION GUIDE

Everything you wanted to know but were too afraid to ask

ROLL

maximum minimalism

ROLL SURFACE MOUNTED



WHOA, HOLD IT!

- 1 Hit the off switch on any power before install.
- 2 Install must only be carried out by someone suitably qualified.
- 3 Only use the product at the specified voltage and frequency.
- 4 There is no four. It would be sweet though if you ♻️ the packaging.

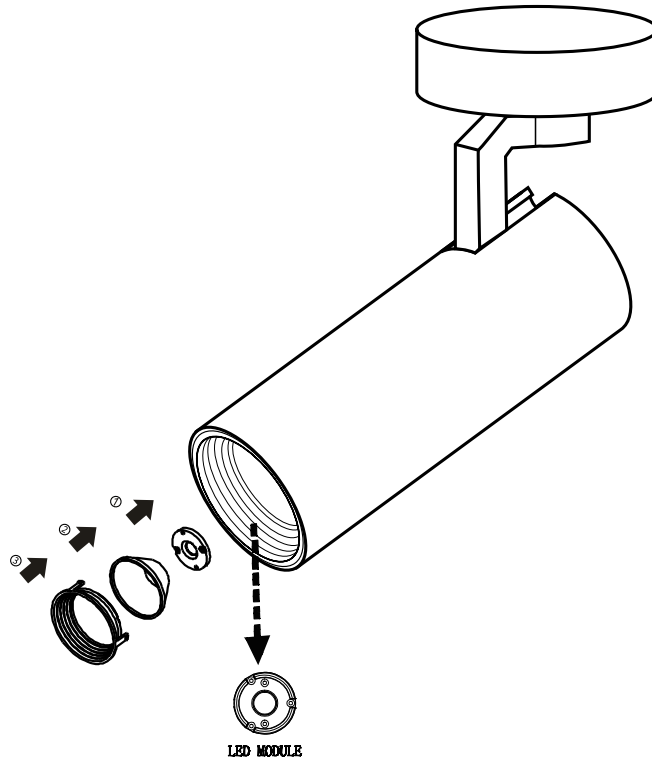


IP20

RoHS



1 LAMP INSTALL



2 CEILING INSTALL

Please note, arrows not included.

