

## INSTALLATION GUIDE

The A B C D E F G Major of installing **symphony**



### PRELUDE

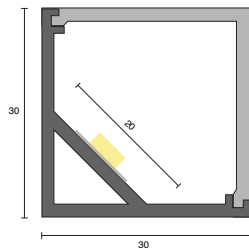
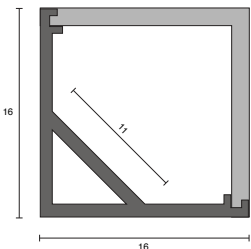


### IMPORTANT STUFF

- Please install the profile on a suitable surface.
- This profile can only be surface mounted.
- Please follow our guide, if you don't strange things could happen.
- Ambience is not liable if instructions not followed.
- Tools and screws not included.
- Actual product may vary from the pictures.
- It would be sweet if you ♻️ the packaging.

### PLEASE NOTE

Failure to follow installation instructions may void warranty. Please refer to our standard terms and conditions and warranty details: [ambienclighting.com.au](http://ambienclighting.com.au)



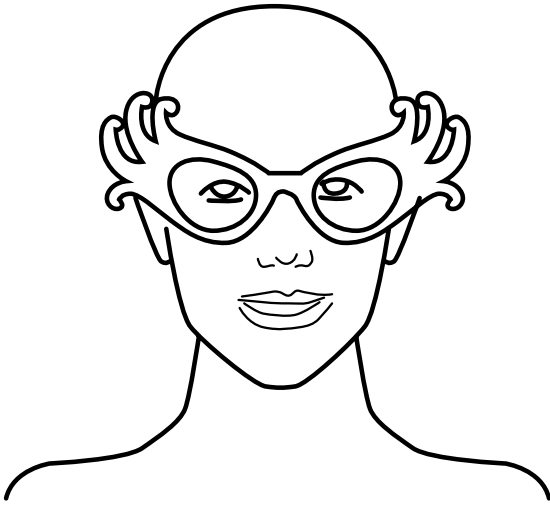
5  
YEAR

IP20

RoHS

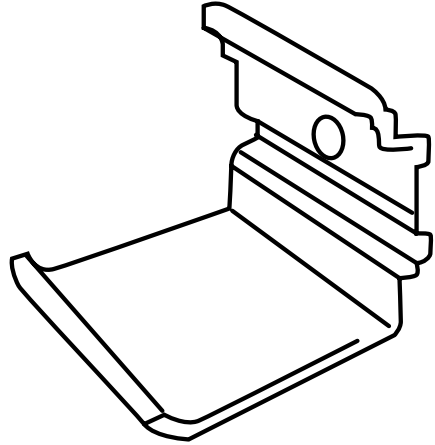
1

Favourite eyewear is optional.



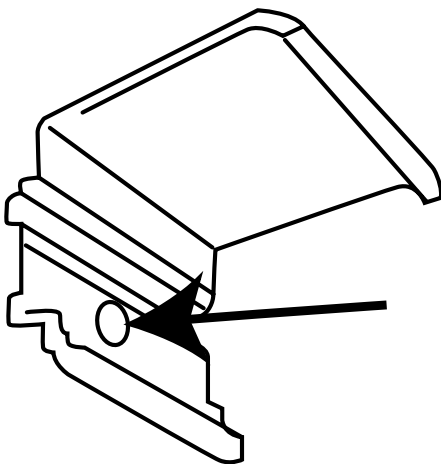
2

Locate the mounting clips provided with the profile.



3

Mount the clips on to the surface with the help of a suitable self-tapping screw. It is recommended to use mounting clips every 750mm.



4

Insert the profile into the mounting clips.

