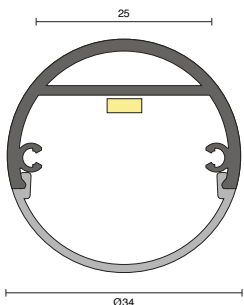


INSTALLATION GUIDE

The A B C D E F G Major of installing **symphony**



PANORAMA SMOOTH SUSPENDED



IMPORTANT STUFF

- Please install the profile on a suitable surface.
- This profile is suitable for suspension & wall mounting.
- Please follow our guide, if you don't strange things could happen.
- Ambience is not liable if instructions not followed.
- Tools and screws not included.
- Actual product may vary from the pictures.
- It would be sweet if you ♻️ the packaging.

PLEASE NOTE

Failure to follow installation instructions may void warranty. Please refer to our standard terms and conditions and warranty details: ambienclighting.com.au



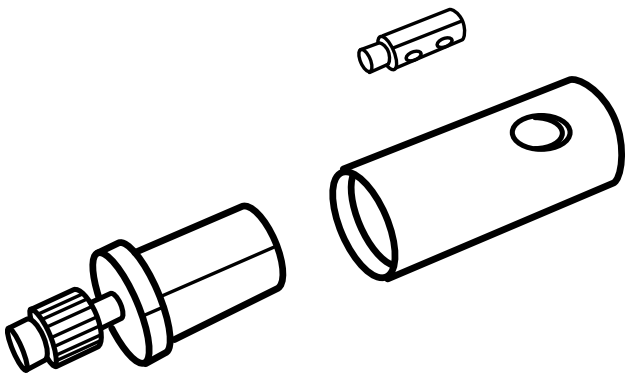
5
YEAR

IP20

RoHS

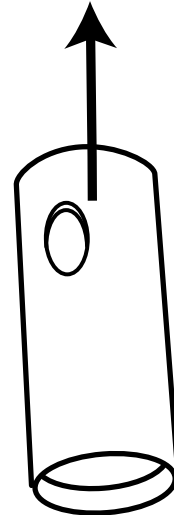
1

Locate the ceiling barrel provided with the profile.



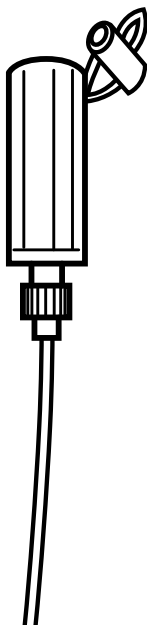
2

Drill holes in the ceiling the same distance apart as the fixed suspension of the light fitting. With the help of a suitable screw, mount this part of the ceiling barrel on the ceiling.



3

Assemble the rest of the suspension components as illustrated. Adjust the suspension length if necessary.



4

Let loose.

