

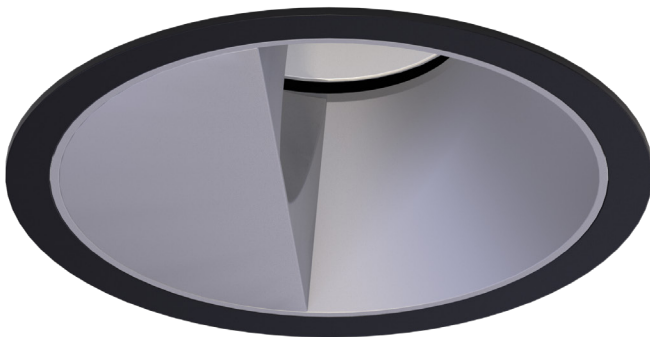
## INSTALLATION GUIDE

Everything you wanted to know but were too afraid to ask

# olio

limitless luminaires in one light

### OLIO WALL WASHER



#### WHOA, HOLD IT!

- 1 Hit the off switch on any power before install.
- 2 Install must only be carried out by someone suitably qualified.
- 3 Only use the product at the specified voltage and frequency.
- 4 There is no four. It would be sweet though if you ♻️ the packaging.



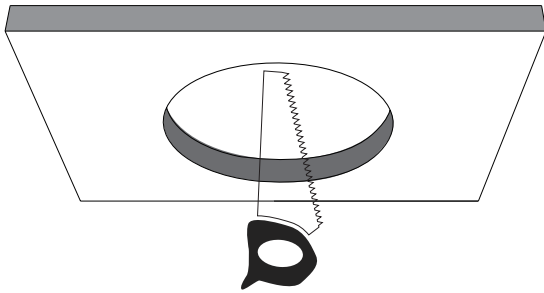
IP20

RoHS



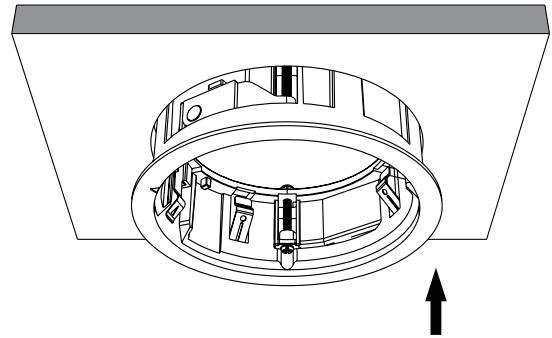
1

Make a  $\text{\O}100\text{mm}$  hole in the false ceiling.



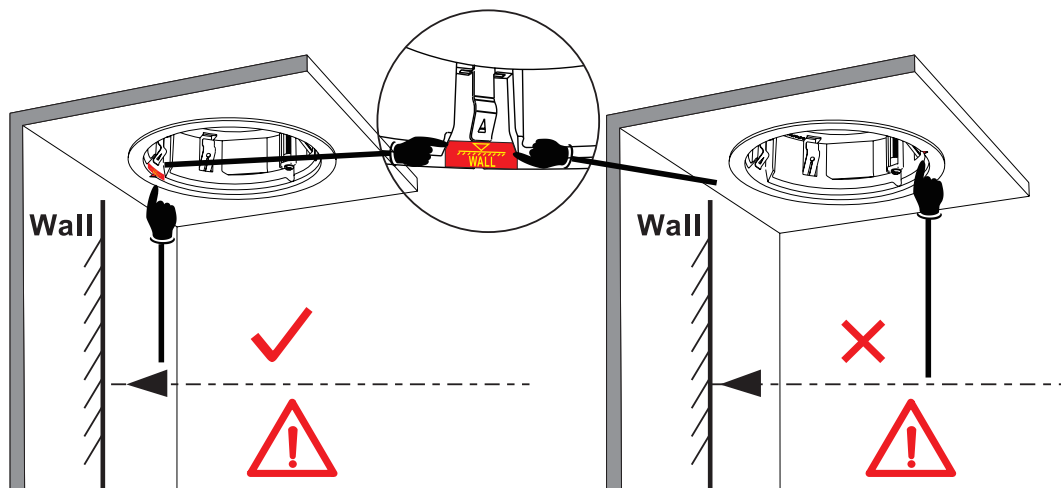
2

Fit the outer frame inside the hole.



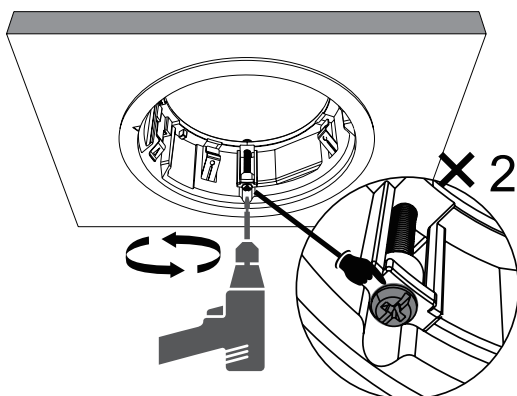
3

Make sure that the groove with the red mark is on the side next to the wall.



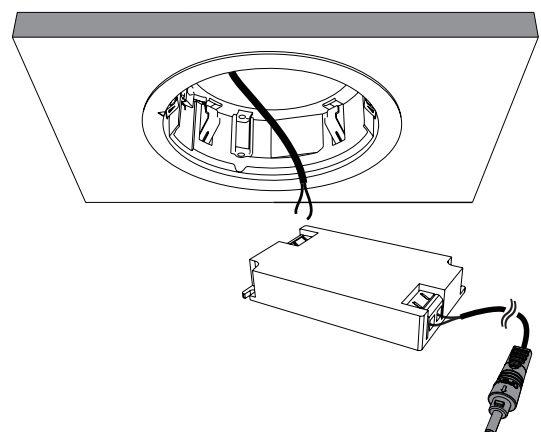
4

Fix the frame onto the ceiling using a screw driver.



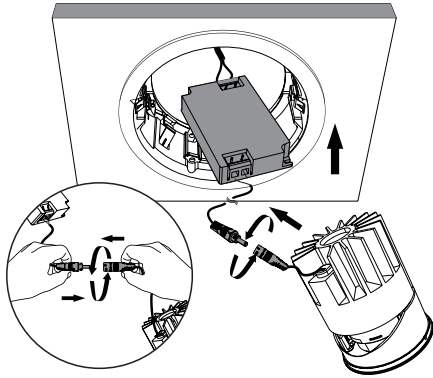
5

Position and plug LED driver in ceiling space, like this.



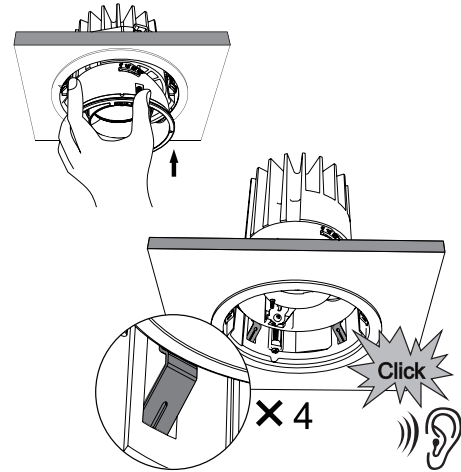
6

Connect the LED driver to the fitting.



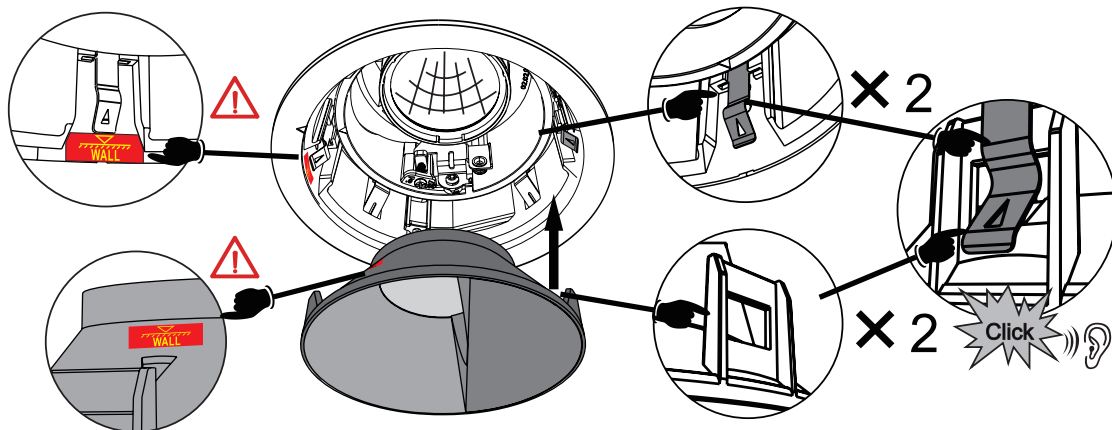
7

Push the fitting into the hole until you hear a 'click' sound and until it's fully secured.



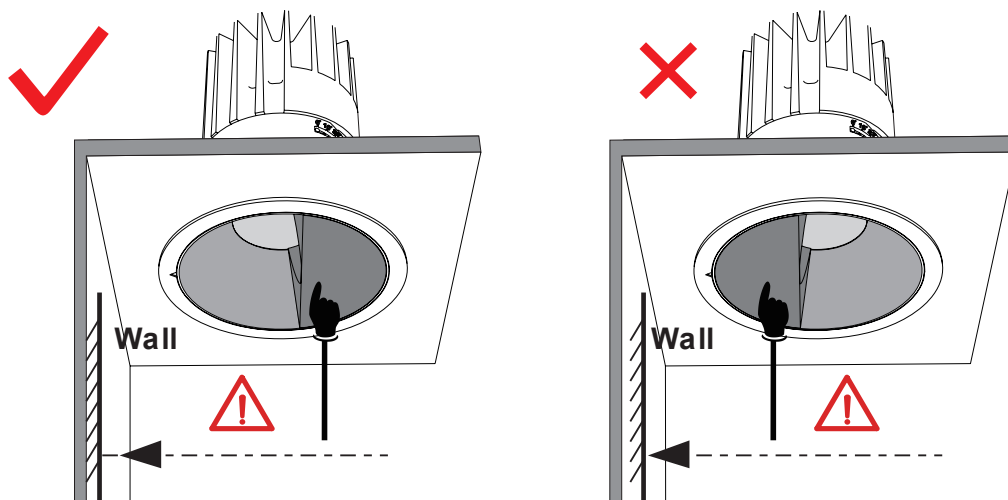
8

Insert the secondary reflector back into the fitting.



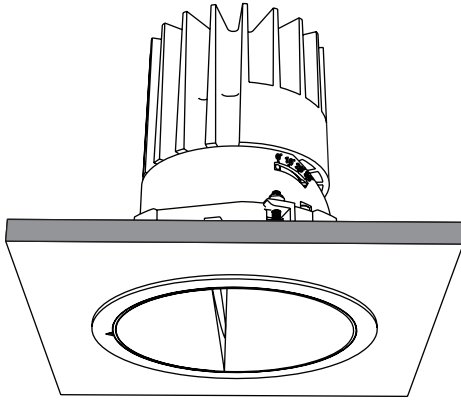
9

Make sure that the open side of the reflector is facing the wall.



10

Done.



11

You've earned a break.

