

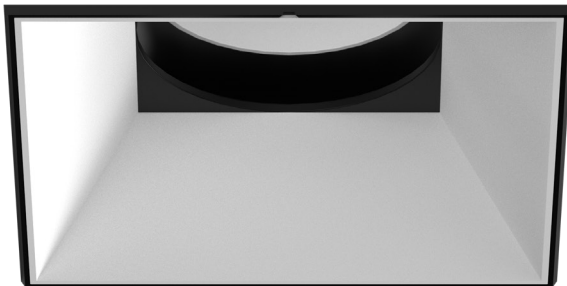
INSTALLATION GUIDE

Everything you wanted to know but were too afraid to ask

olio

limitless luminaires in one light

OLIO SQUARE TRIMLESS



WHOA, HOLD IT!

- 1 Hit the off switch on any power before install.
- 2 Install must only be carried out by someone suitably qualified.
- 3 Only use the product at the specified voltage and frequency.
- 4 There is no four. It would be sweet though if you ♻️ the packaging.



IP20

RoHS

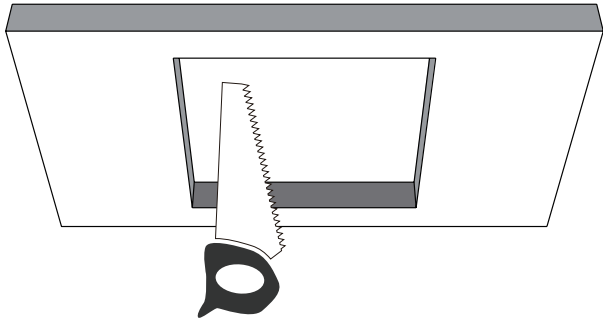


1

Make a hole in the false ceiling as per nominated sizes:

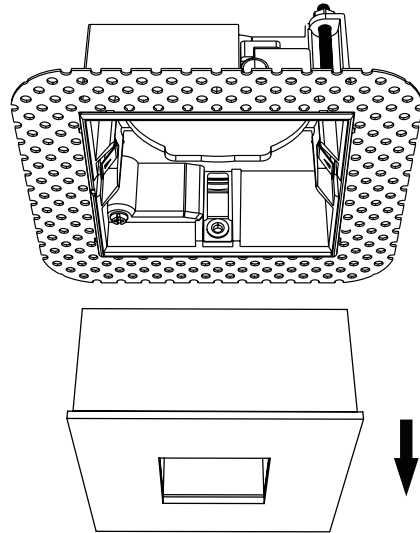
S: 70mm x 70mm

M: 104mm x 104mm



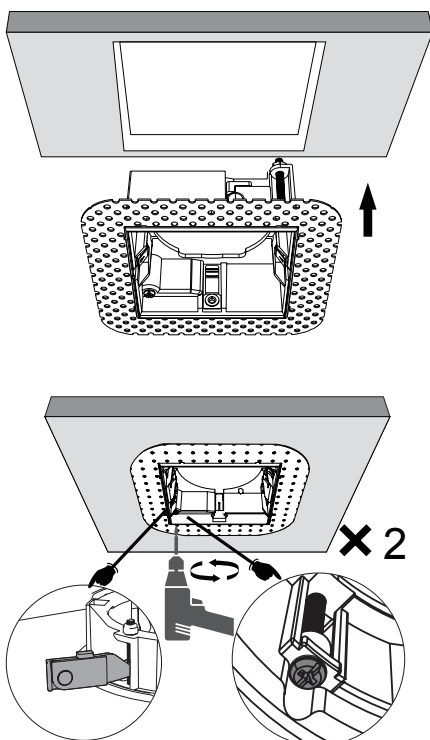
2

Remove the packaging from the trimless frame.



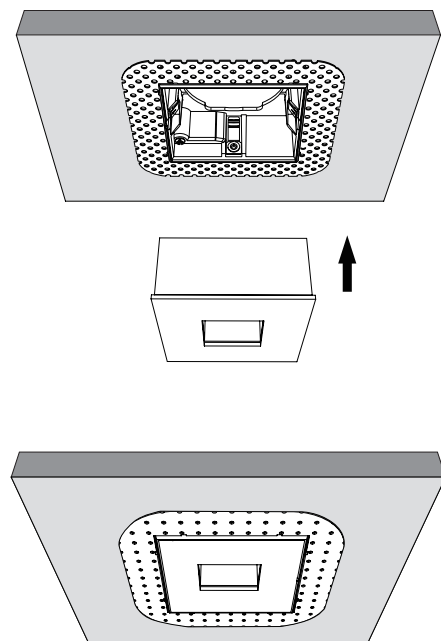
3

Fix the Trimless frame on the ceiling using a screw driver.



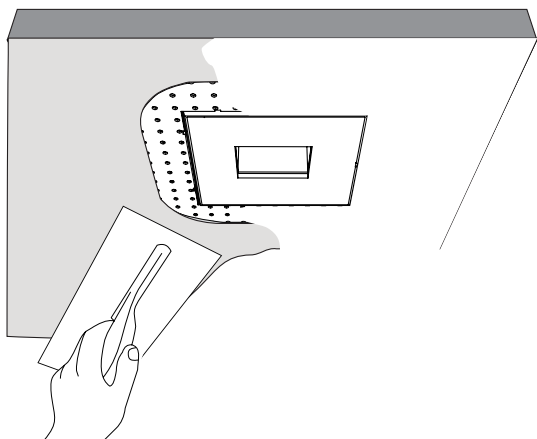
4

Insert the packaging back into the trimless frame.



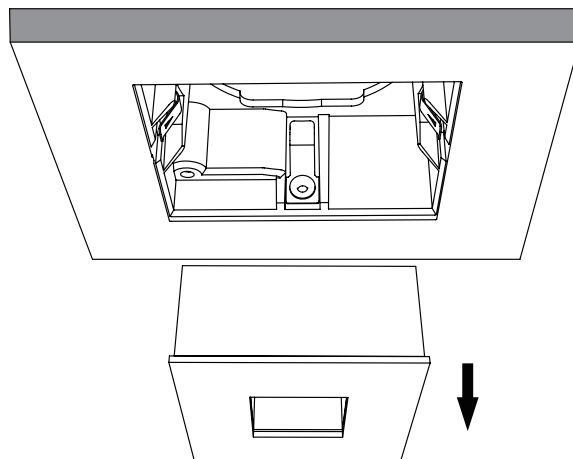
5

Plaster onto the trimless frame to obtain a neat cut-out.



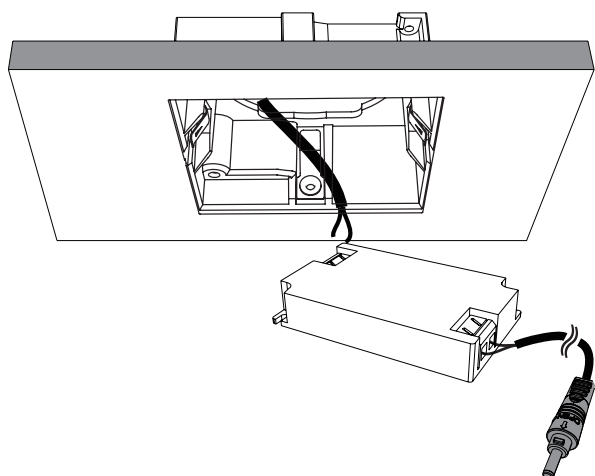
6

Once the frame is nice and flush, remove the packaging.



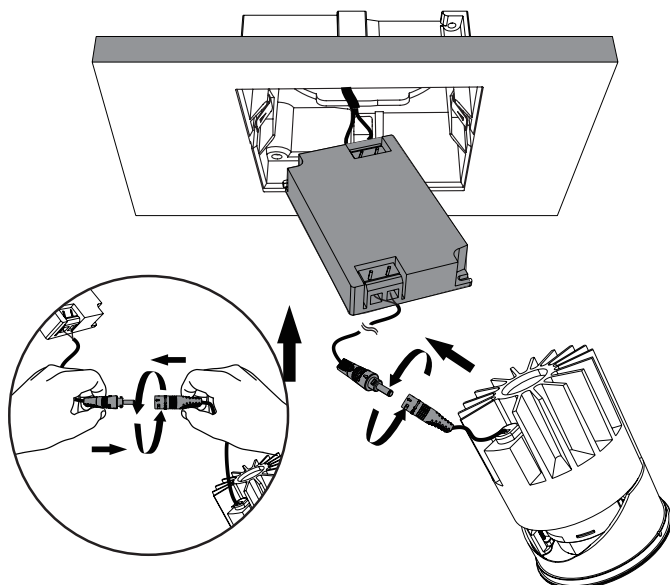
7

Position and plug LED driver in ceiling space, like this.



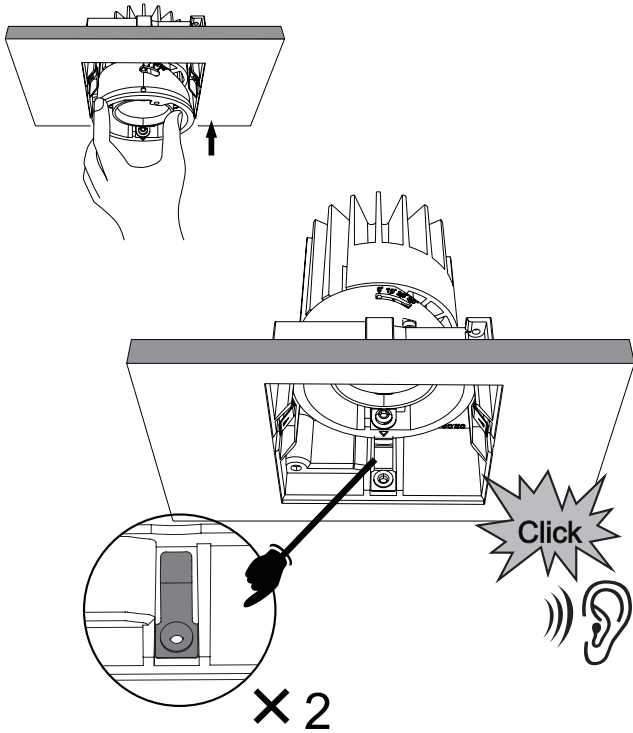
8

Connect the LED driver to the fitting.



9

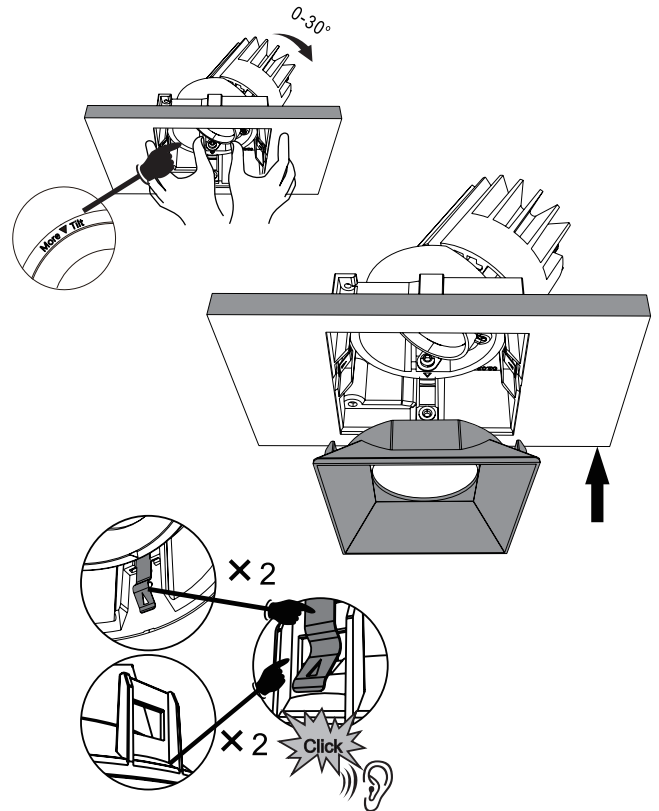
Push the fitting into the hole until you hear a 'click' sound and until it's fully secured.



Note: Must use own ears. Ears not supplied.

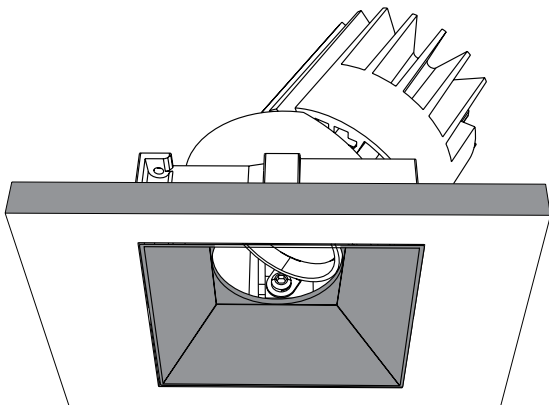
10

Insert the secondary reflector back into the fitting.



11

Adjust and angle the fitting as required.



12

Use your tools to crack open some champers.

