

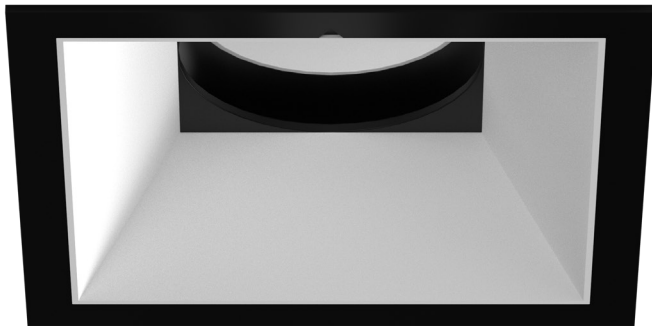
## INSTALLATION GUIDE

Everything you wanted to know but were too afraid to ask

# olio

limitless luminaires in one light

### OLIO SQUARE



#### WHOA, HOLD IT!

- 1 Hit the off switch on any power before install.
- 2 Install must only be carried out by someone suitably qualified.
- 3 Only use the product at the specified voltage and frequency.
- 4 There is no four. It would be sweet though if you ♻️ the packaging.



IP20

RoHS



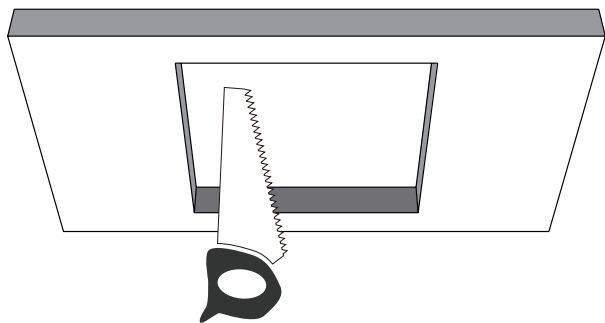
1

Make a hole in the false ceiling as per nominated sizes:

XS: 45mm x 45mm

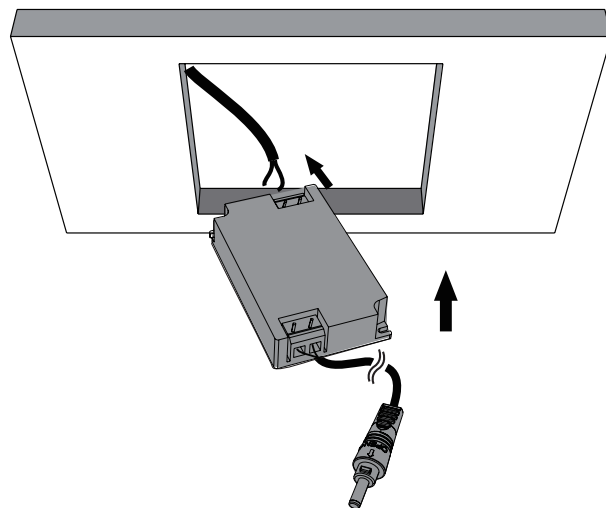
S: 68mm x 68mm

M: 96mm x 96mm



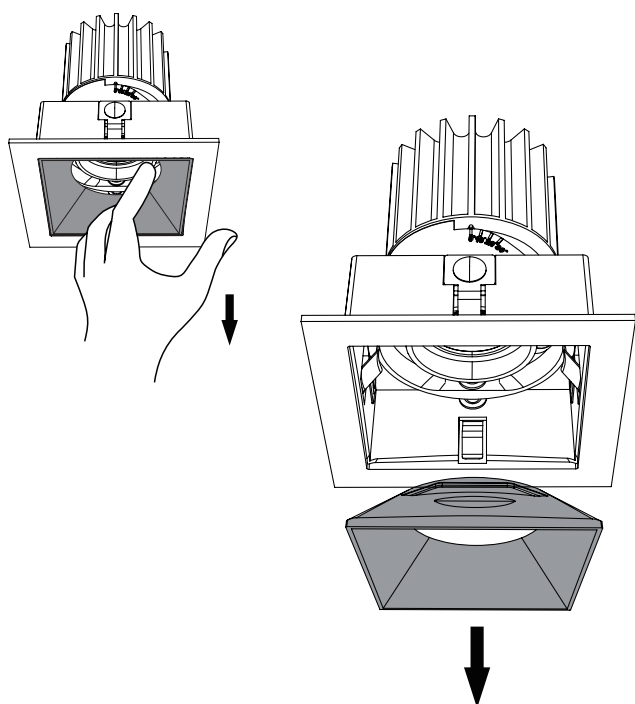
2

Position and plug LED driver in ceiling space, like this.



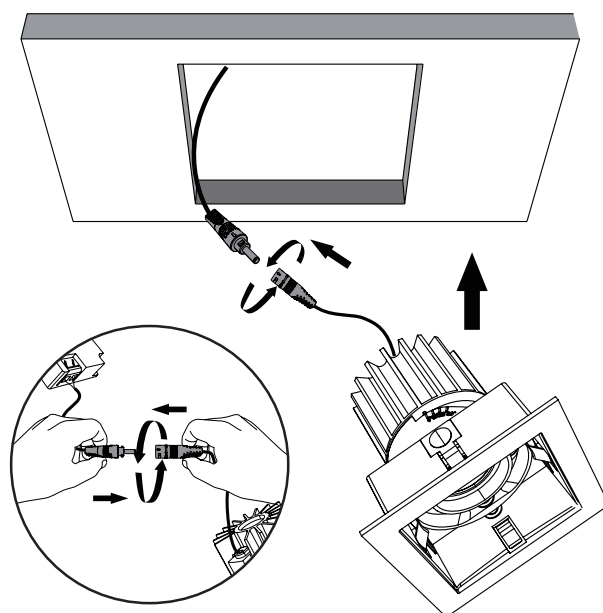
3

Remove the secondary reflector from the fitting by pulling it out.



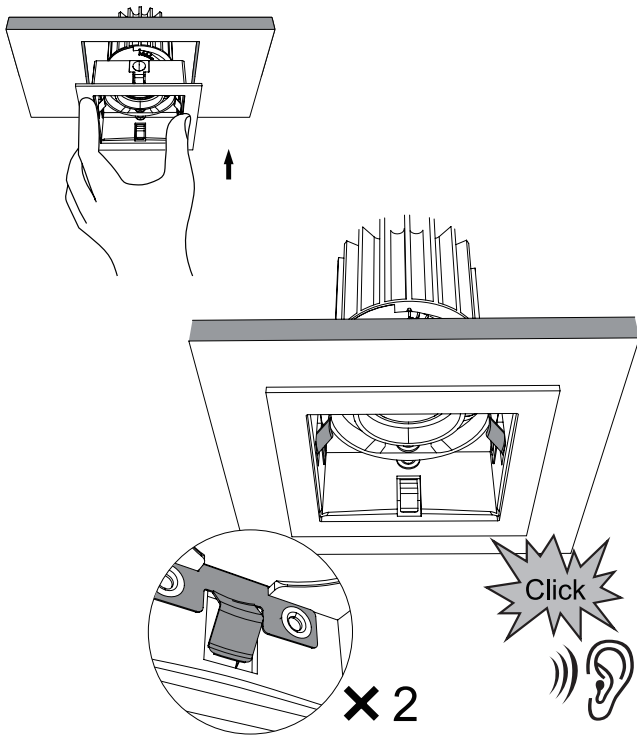
4

Connect the LED driver to the fitting.



5

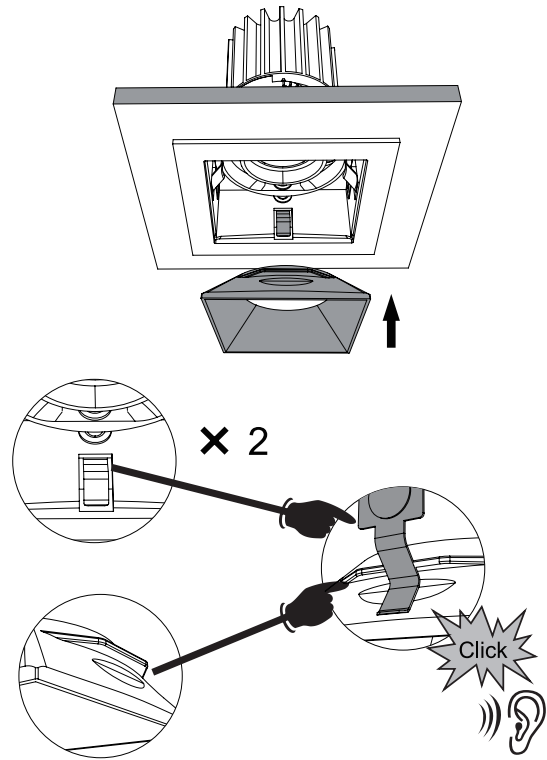
Push the fitting into the hole until you hear a 'click' sound and until it's fully secured.



Note: Must use own ears. Ears not supplied.

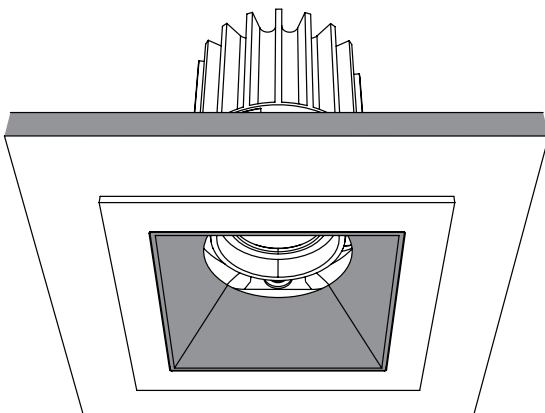
6

Insert the secondary reflector back into the fitting.



7

Done.



8

Celebrate.

