

INSTALLATION GUIDE

Everything you wanted to know but were too afraid to ask

olio

limitless luminaires in one light

OLIO ROUND TRIMLESS



WHOA, HOLD IT!

- 1 Hit the off switch on any power before install.
- 2 Install must only be carried out by someone suitably qualified.
- 3 Only use the product at the specified voltage and frequency.
- 4 There is no four. It would be sweet though if you ♻️ the packaging.



IP20

RoHS



1

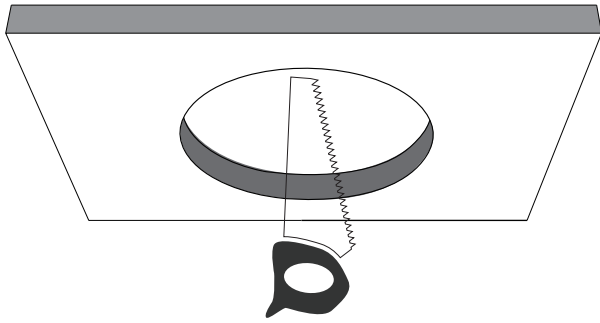
Make a hole in the false ceiling as per nominated sizes:

S: Ø70mm

M: Ø108mm

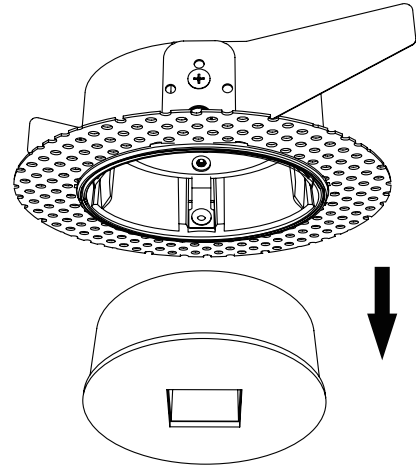
L: Ø132mm

XL: Ø158mm



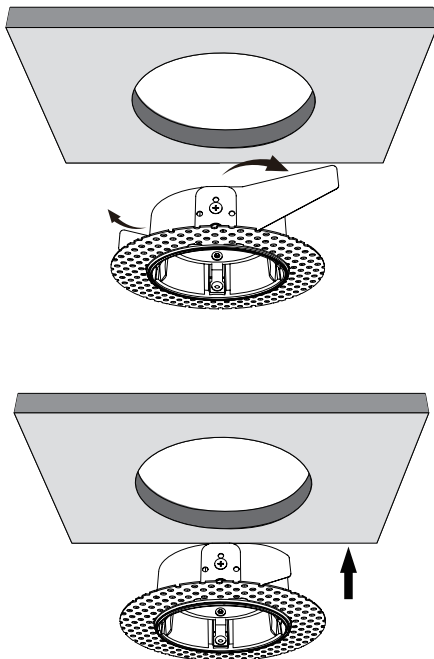
2

Remove the packaging from the trimless frame.



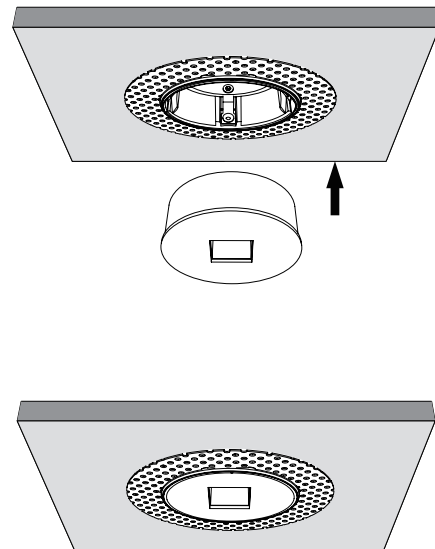
3

Fix the Trimless frame on the ceiling by compressing the spring clips.



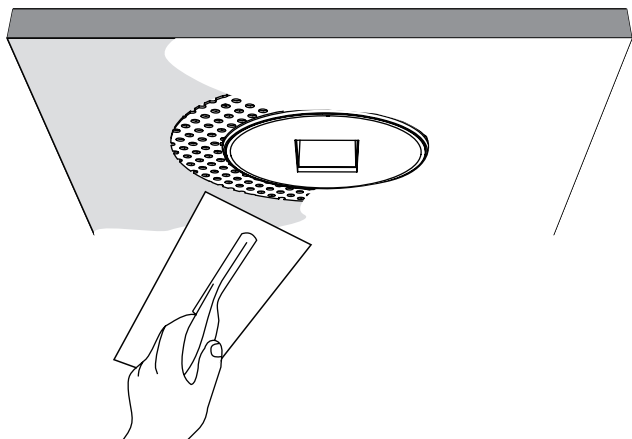
4

Insert the packaging back into the trimless frame.



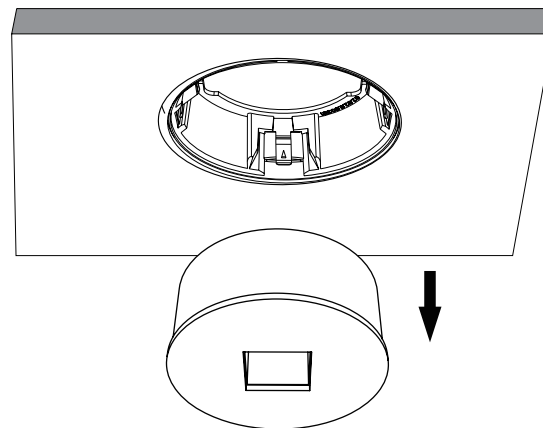
5

Plaster onto the trimless frame to obtain a neat cut-out.



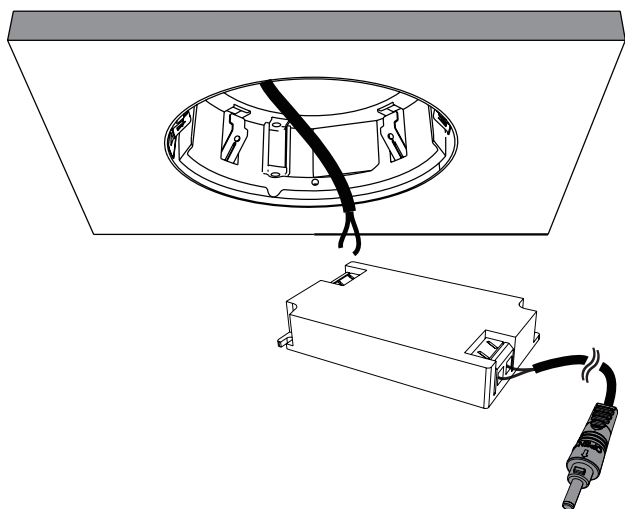
6

Once the frame is nice and flush, remove the packaging.



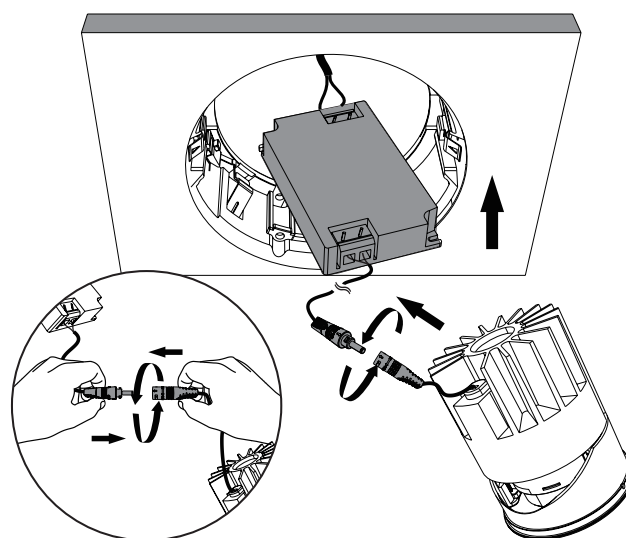
7

Position and plug LED driver in ceiling space, like this.



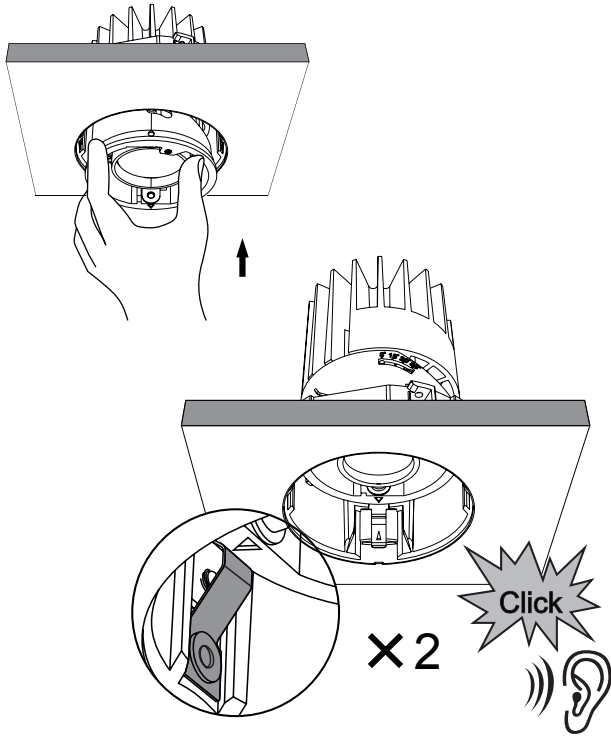
8

Connect the LED driver to the fitting.



9

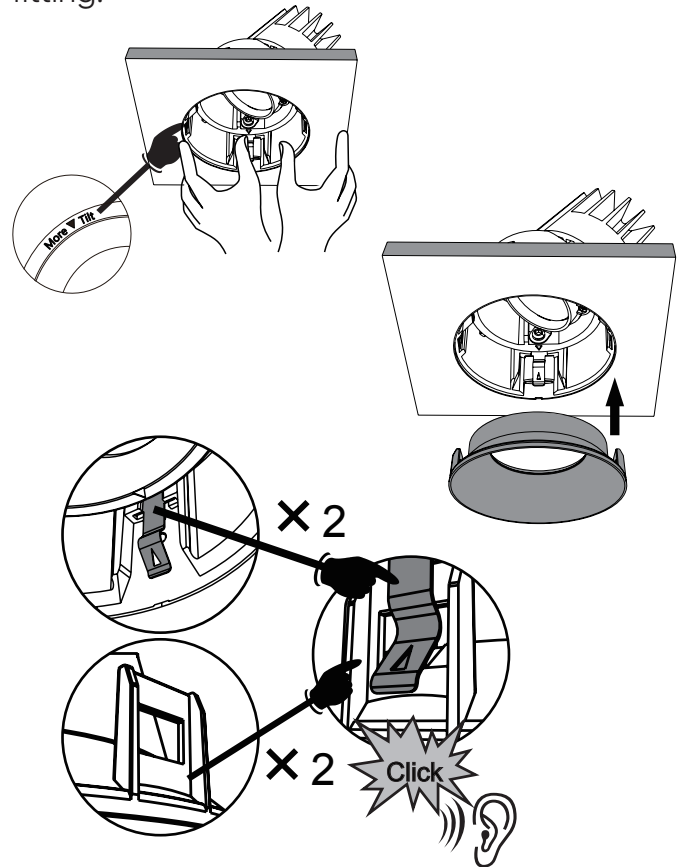
Push the fitting into the hole until you hear a 'click' sound and until it's fully secured.



Note: Must use own ears. Ears not supplied.

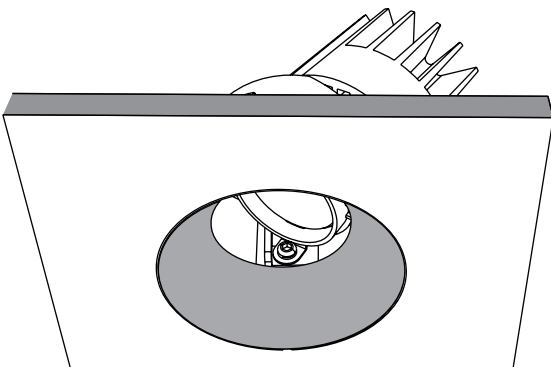
10

Insert the secondary reflector back into the fitting.



11

Adjust and angle the fitting as required.



12

Let loose.

