

INSTALLATION GUIDE

Everything you wanted to know but were too afraid to ask

olio

limitless luminaires in one light

OLIO ROUND



WHOA, HOLD IT!

- 1 Hit the off switch on any power before install.
- 2 Install must only be carried out by someone suitably qualified.
- 3 Only use the product at the specified voltage and frequency.
- 4 There is no four. It would be sweet though if you ♻️ the packaging.



IP20

RoHS



1

Make a hole in the false ceiling as per nominated sizes:

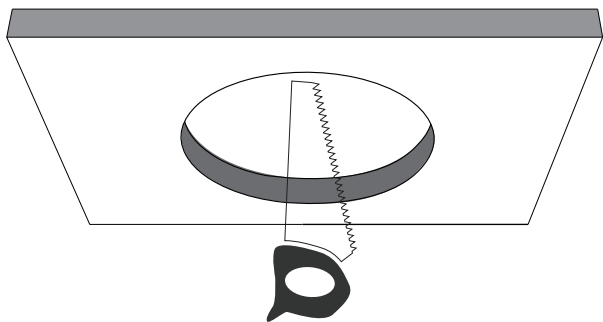
XS: Ø45mm

S: Ø68mm

M: Ø100mm

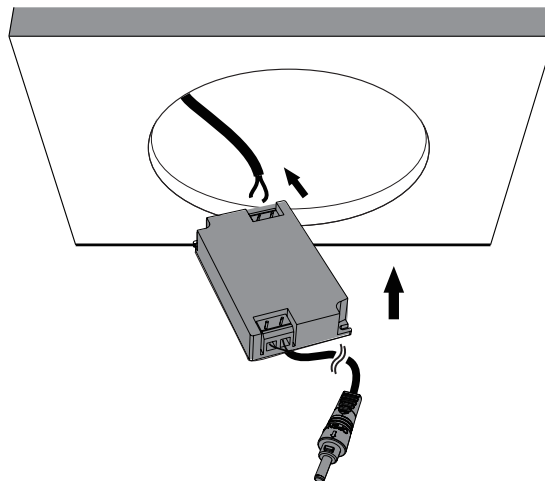
L: Ø125mm

XL: Ø150mm



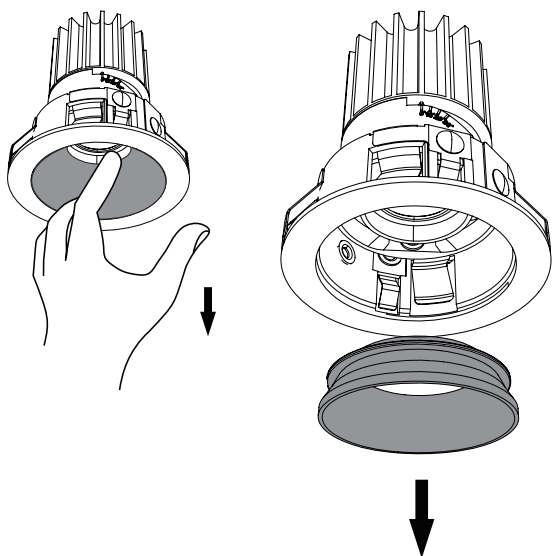
2

Position and plug LED driver in ceiling space, like this.



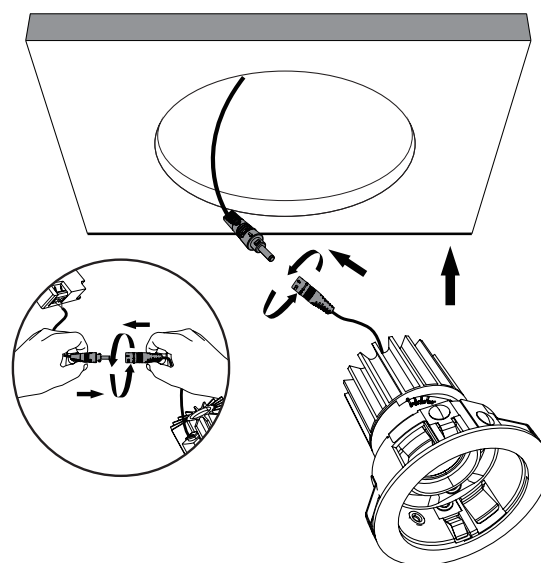
3

Remove the secondary reflector from the fitting by pulling it out.



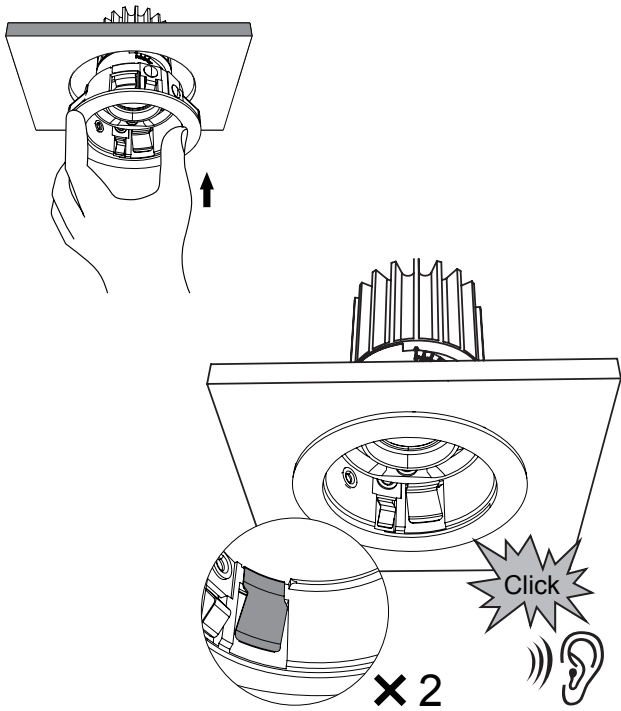
4

Connect the LED driver to the fitting.



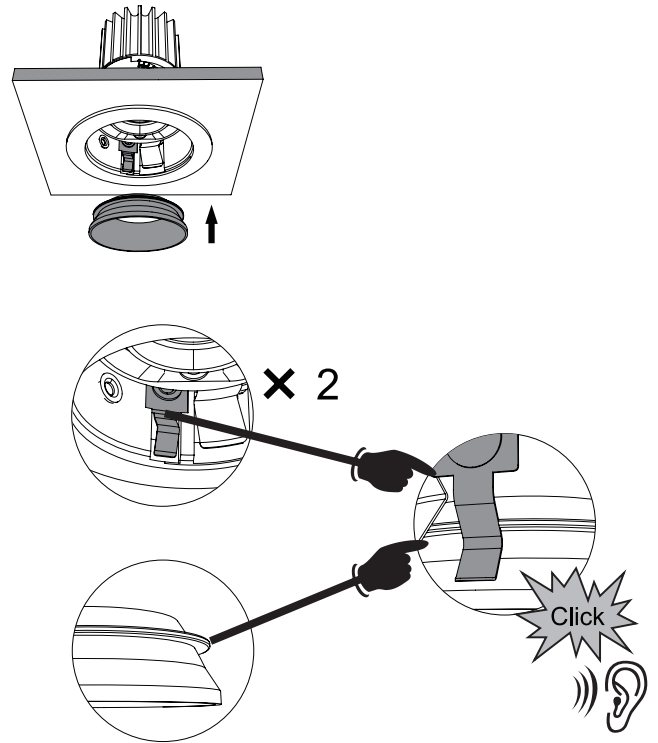
5

Push the fitting into the hole until you hear a 'click' sound and until it's fully secured.



6

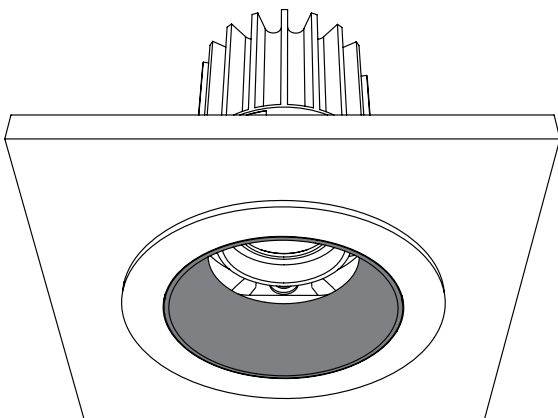
Insert the secondary reflector back into the fitting.



Note: Must use own ears. Ears not supplied.

7

Done.



8

Bingo.

