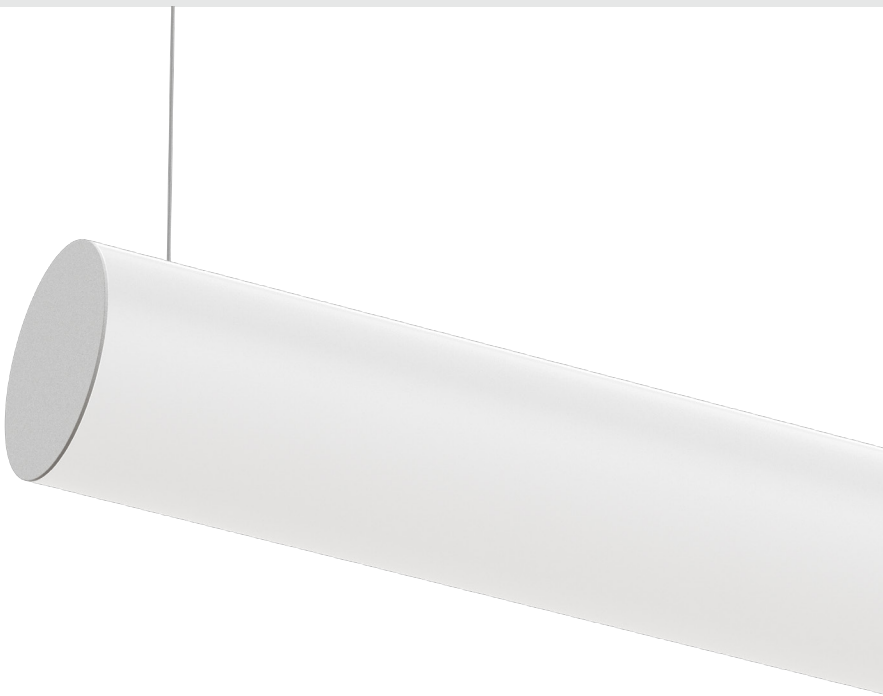


## INSTALLATION GUIDE

The A B C D E F G Major of installing **symphony**



### OBOE

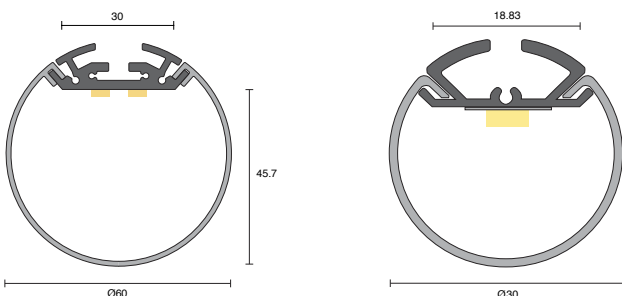


### IMPORTANT STUFF

- This profile is suitable for suspension mounting only.
- Please follow our guide, if you don't strange things could happen.
- Ambience is not liable if instructions not followed.
- Tools and screws not included.
- Actual product may vary from the pictures.
- It would be sweet if you ♻️ the packaging.

### PLEASE NOTE

Failure to follow installation instructions may void warranty. Please refer to our standard terms and conditions and warranty details: [ambiencelighting.com.au](http://ambiencelighting.com.au)



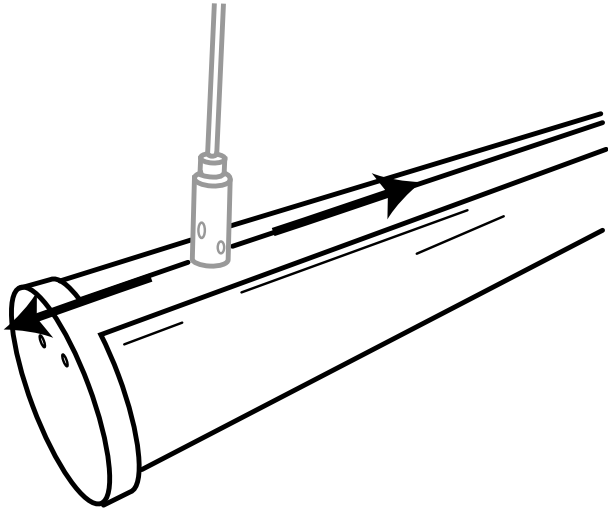
5  
YEAR

IP20

RoHS

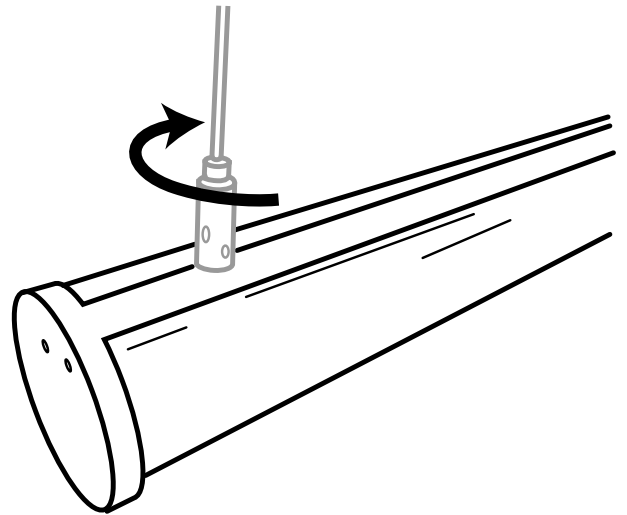
1

Adjust the suspension to a suitable position on the profile as illustrated. It is recommended to use suspensions every 1500mm.



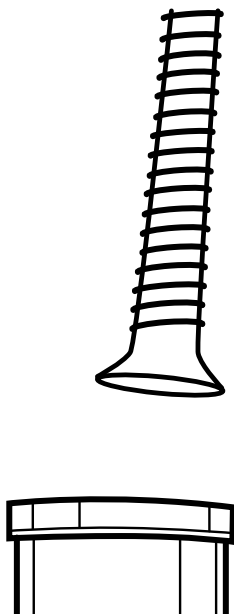
2

Turn the cylinder clockwise to tighten once the position has been finalised.



3

Drill holes in the ceiling, the same distance apart as the suspension on the light fitting. With the help of a suitable screw, mount the ceiling barrels provided with the fitting as illustrated. Adjust the suspension length if necessary.



4

For added effect repeat steps 1-3 in your favourite eyewear.

