

INSTALLATION GUIDE

The A B C D E F G Major of installing **symphony**



MEDLEY



IMPORTANT STUFF

- Please install the profile on a suitable surface.
- This profile is suitable for surface and concealed mounting.
- Please follow our guide, if you don't strange things could happen.
- Ambience is not liable if instructions not followed.
- Tools and screws not included.
- Actual product may vary from the pictures.
- It would be sweet if you ♻️ the packaging.

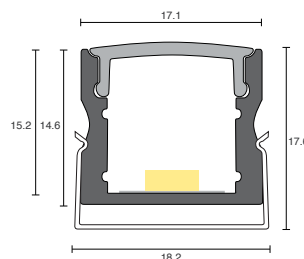
PLEASE NOTE

Failure to follow installation instructions may void warranty. Please refer to our standard terms and conditions and warranty details: ambienclighting.com.au

RECOMMENDED REBATE SIZE FOR CONCEALED MOUNTING

19mm (W) x 18mm (H)

When concealing the profile without any mounting clips, make sure the rebate has a +0.5mm tolerance to cater for any increase in the width of the profile from powdercoating.

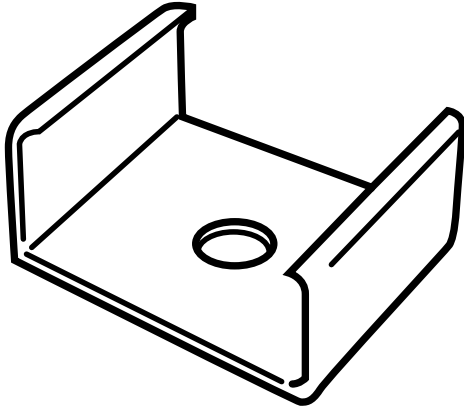


5
YEAR

IP20 RoHS

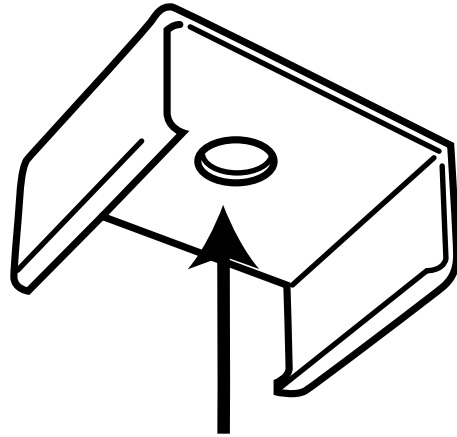
1

Locate the mounting clips provided.



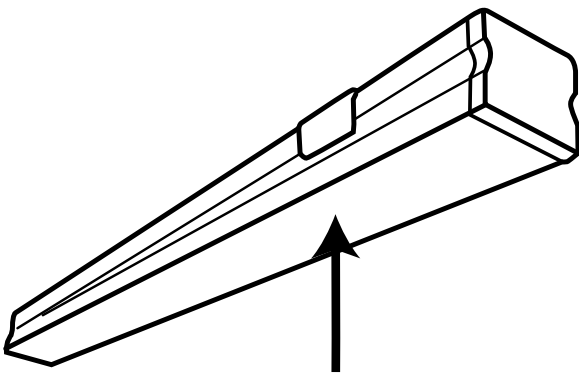
2

Mount the clips on to the surface with the help of a suitable self-tapping screw. It is recommended to use mounting clips every 750 mm.



3

Insert the profile into the mounting clips.



4

For added effect repeat steps 1-3 in a hockey mask.

