

INSTALLATION GUIDE

Everything you wanted to know but were too afraid to ask

Kit

your go-to downlight

KIT STANDARD



WHOA, HOLD IT!

- 1 Hit the off switch on any power before install.
- 2 Install must only be carried out by someone suitably qualified.
- 3 Only use the product at the specified voltage and frequency.
- 4 There is no four. It would be sweet though if you ♻️ the packaging.



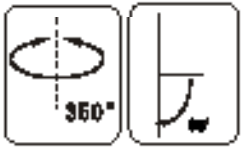
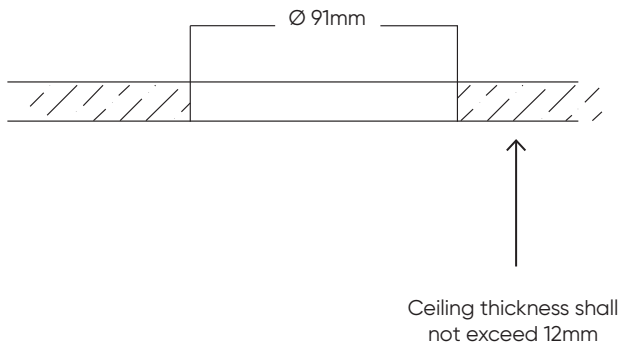
IP20

RoHS



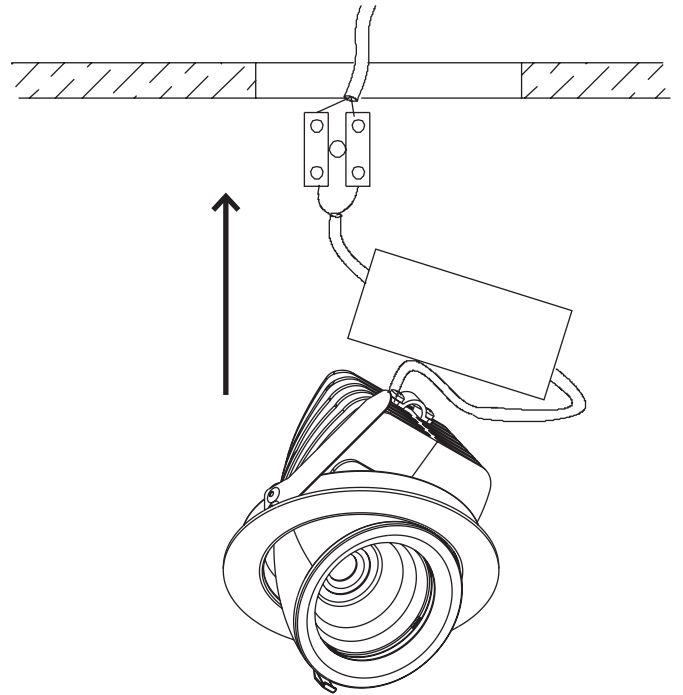
1

Make a hole, \varnothing 91mm at false ceiling



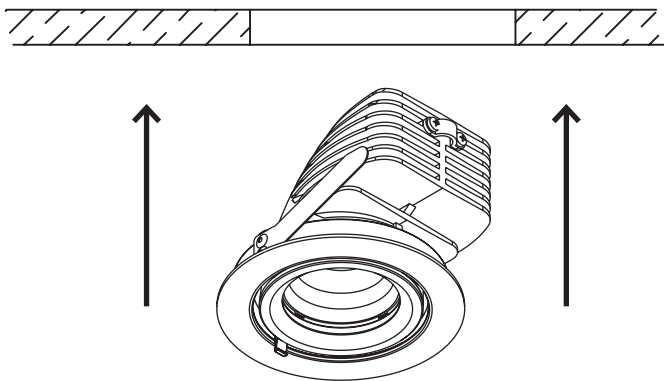
2

Position and plug LED driver in ceiling space.



3

Push the housing into the hole by compressing spring clips.



4

Release the spring clips once the fitting fits into the hole and adjust to the required angle.

