

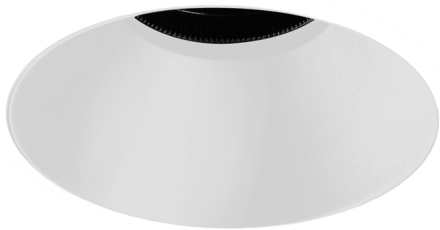
INSTALLATION GUIDE

Everything you wanted to know but were too afraid to ask

Kit

your go-to downlight

KIT MINI TRIMLESS



WHOA, HOLD IT!

- 1 Hit the off switch on any power before install.
- 2 Install must only be carried out by someone suitably qualified.
- 3 Only use the product at the specified voltage and frequency.
- 4 There is no four. It would be sweet though if you ♻️ the packaging.



IP44

RoHS



*

*

* Applies to size S only

ambience
MAKING LIGHT WORK

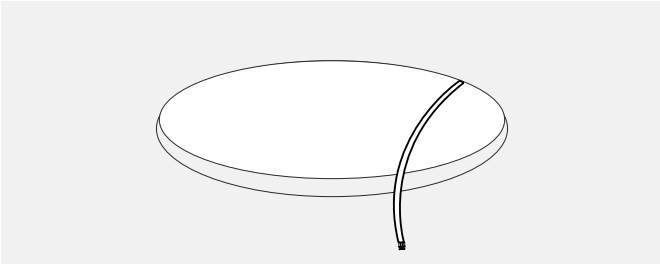
+61 3 9486 3699
sales@ambiencelighting.com.au
ambiencelighting.com.au

STEPS FOR INSTALLATION OF KIT MINI S TRIMLESS

Everything you wanted to know but were too afraid to ask

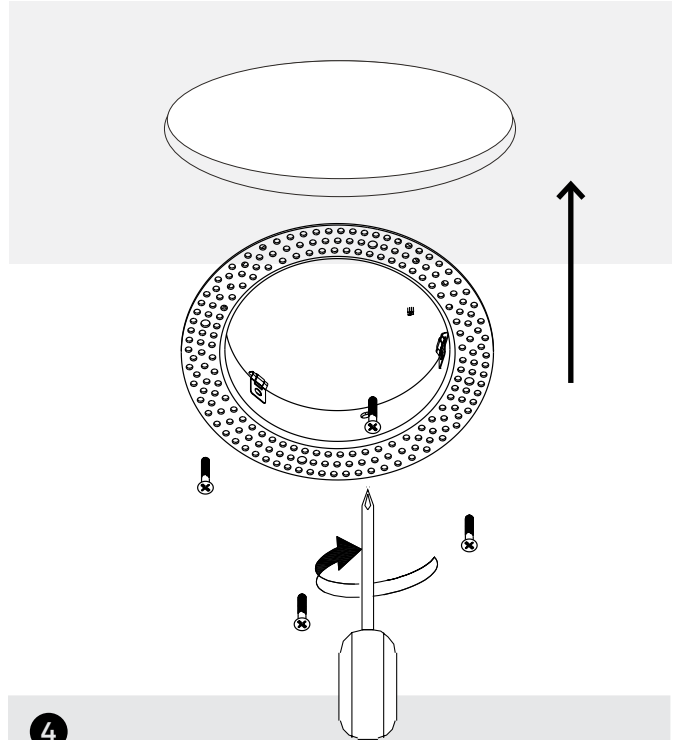
1

Make a hole, \varnothing 90mm at false ceiling.



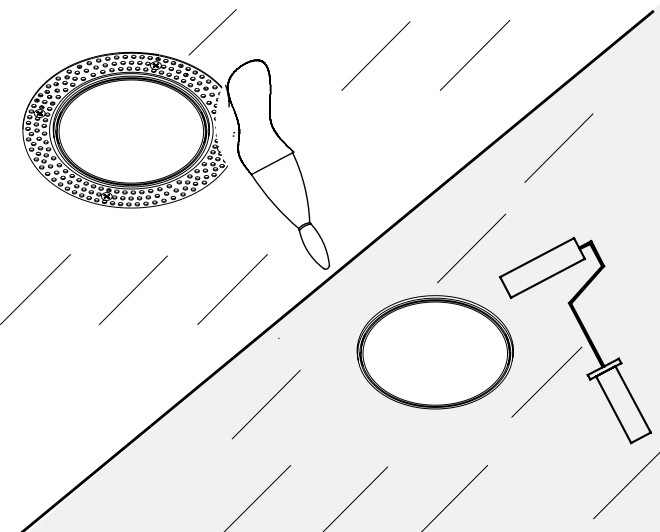
2

Fix the trimless frame on the ceiling using a screw driver.



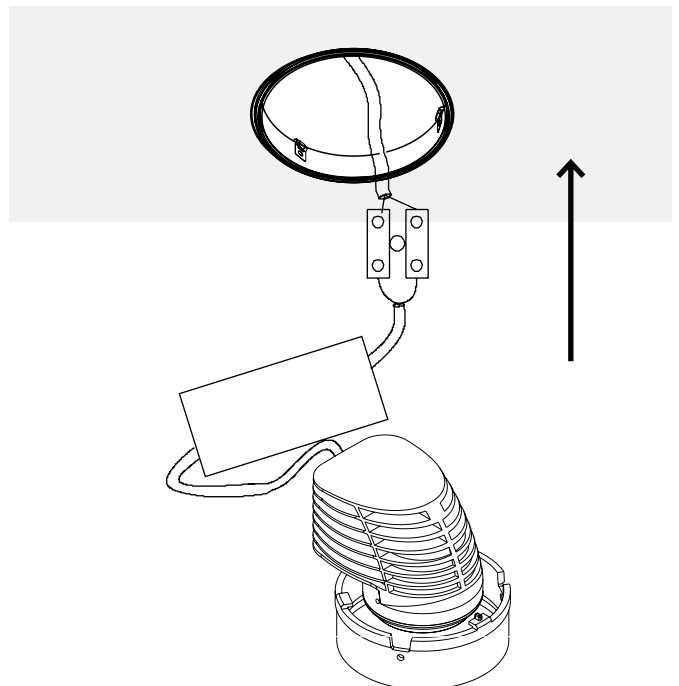
3

Plaster onto the trimless frame to obtain a neat cut out.



4

Push the housing onto the frame and make sure it's locked properly. Adjust the fitting as required.

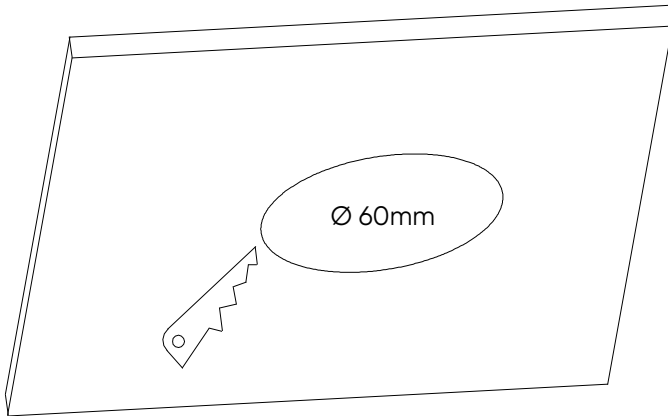


STEPS FOR INSTALLATION OF KIT MINI XS TRIMLESS

Everything you wanted to know but were too afraid to ask

1

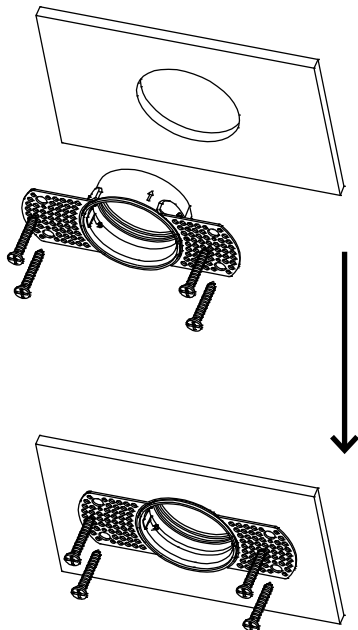
Make a hole, \varnothing 60mm at false ceiling.



Cut out.

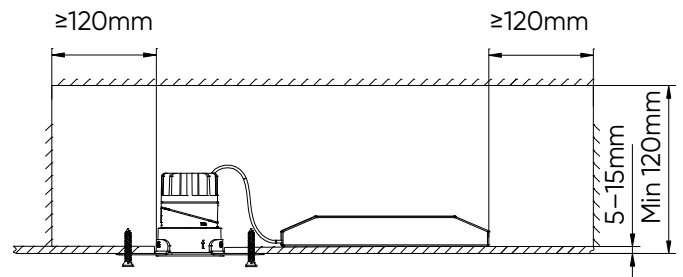
3

Fix the trimless frame on the ceiling using a screw driver using 4pcs off appropriate self-tapping screws. Suitable for ceiling thickness of 5-15mm.



2

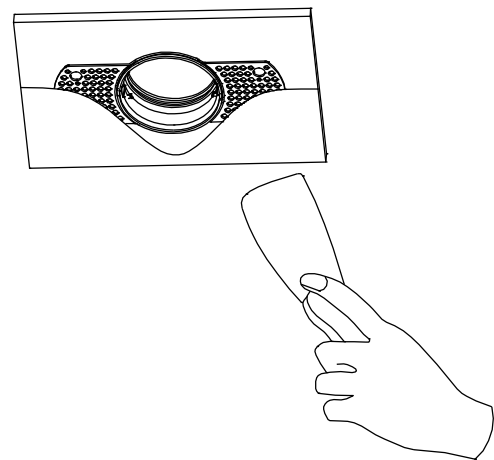
Ensure that the below clearances around the fitting are allowed for inside the ceiling space.



Ensure the ceiling has enough space for installation of light fixture.

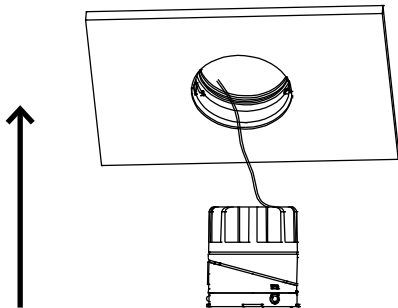
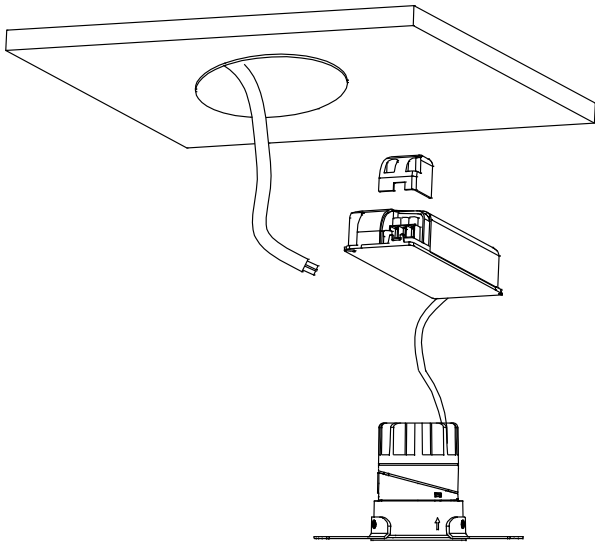
4

Plaster onto the trimless frame to obtain a neat cut-out.



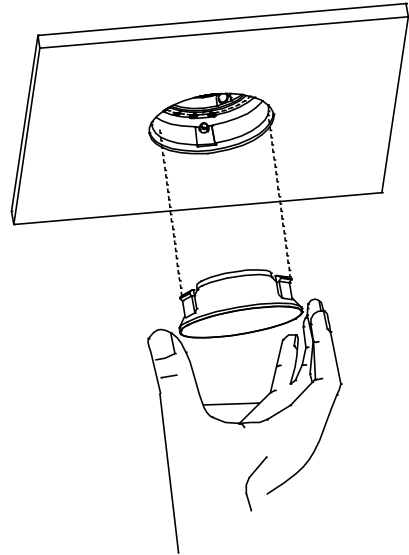
5

Insert the LED driver into the ceiling and connect the housing to it. Push the housing onto the trimless frame and make sure it's locked properly. Assemble the secondary reflector onto the housing by pushing it in and adjust the fitting as required.



6

Assemble the secondary reflector onto the housing by pushing it in and adjust the fitting as required.

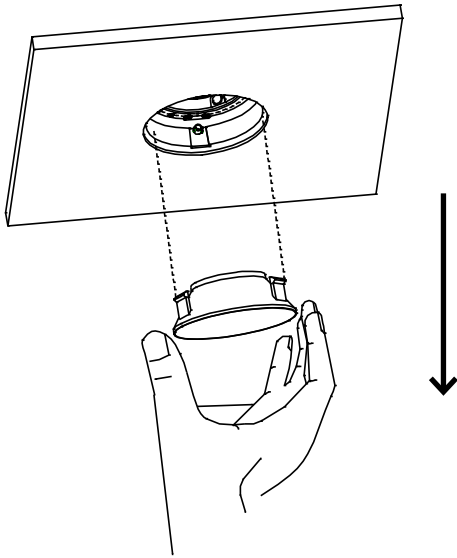


STEPS FOR TILTING & ROTATION

Everything you wanted to know but were too afraid to ask

A

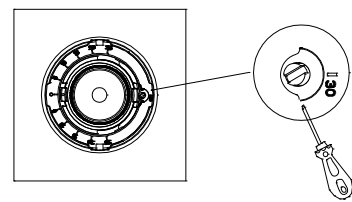
Pull the secondary reflector out.



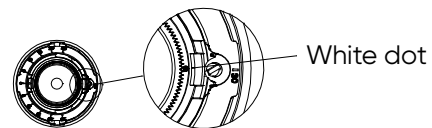
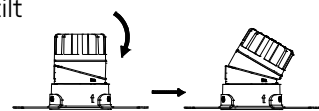
B

For 0-30° tilt angle adjustment:

Use a small flat-head screwdriver to set the scale from 0-30 along the edge of the 'I' slot as shown below. The angle of the luminaire can be determined by the alignment of the white marking point with the scale value on the luminaire.



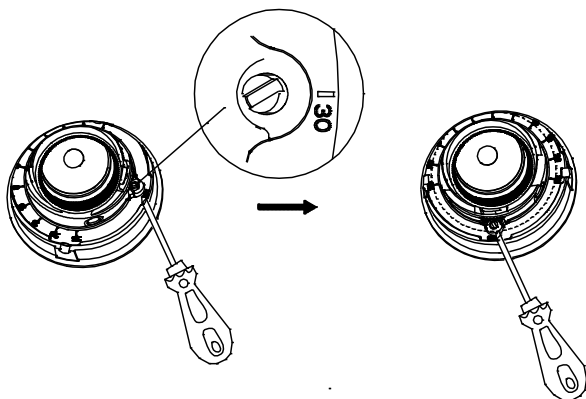
Fixture tilt



C

For 0-360° horizontal rotation:

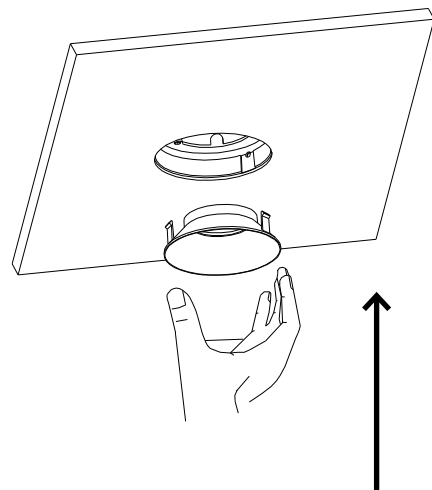
Insert a small flat-head screwdriver into the hole of the dial marked as '30' and turn it clockwise or anti-clockwise to rotate the fitting.



Horizontally adjust

D

Push the secondary reflector in.



Install the reflector