

INSTALLATION GUIDE

Everything you wanted to know but were too afraid to ask

Kit

your go-to downlight

KIT MINI TRIM



WHOA, HOLD IT!

- 1 Hit the off switch on any power before install.
- 2 Install must only be carried out by someone suitably qualified.
- 3 Only use the product at the specified voltage and frequency.
- 4 There is no four. It would be sweet though if you ♻️ the packaging.



IP44

RoHS



*

*

* Applies to size S only

ambience
MAKING LIGHT WORK

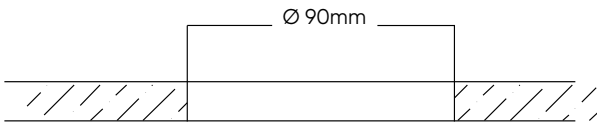
+61 3 9486 3699
sales@ambiencelighting.com.au
ambiencelighting.com.au

STEPS FOR INSTALLATION OF KIT MINI S TRIM

Everything you wanted to know but were too afraid to ask

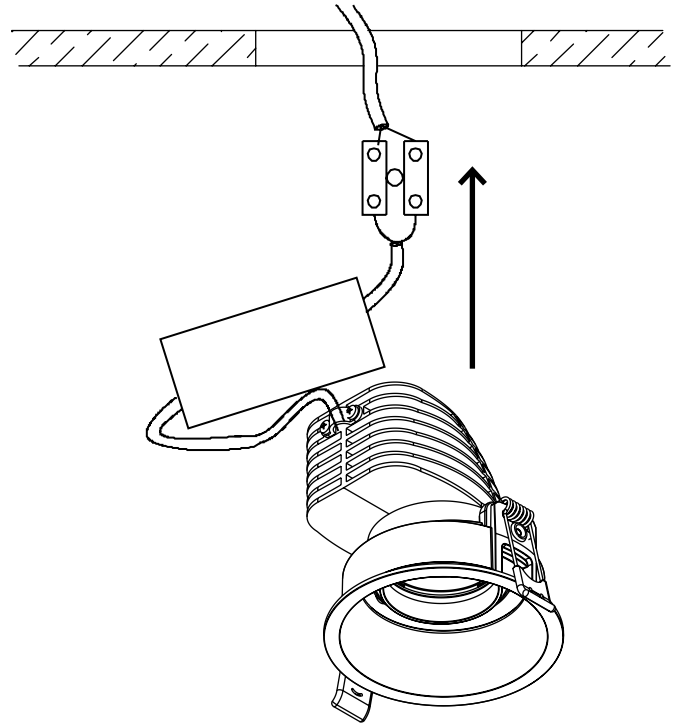
1

Make a hole, \varnothing 90mm at false ceiling



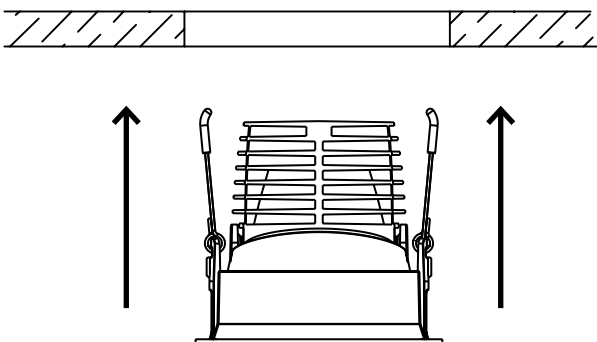
2

Position and plug LED driver in ceiling space.



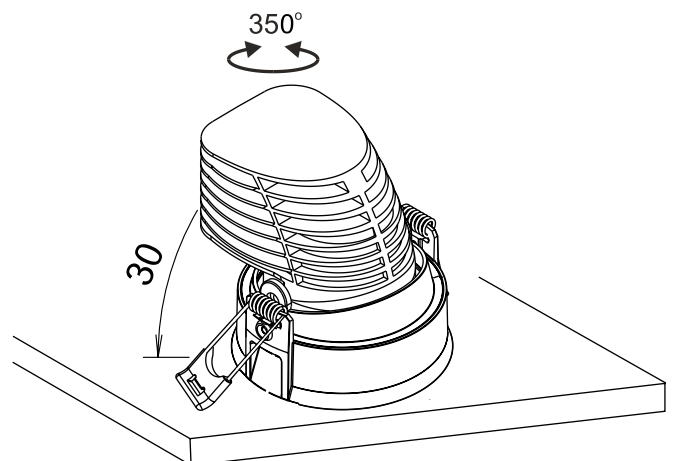
3

Push the housing into the hole by compressing spring clips.



4

Release the spring clips once the fitting fits into the hole and adjust to the required angle.

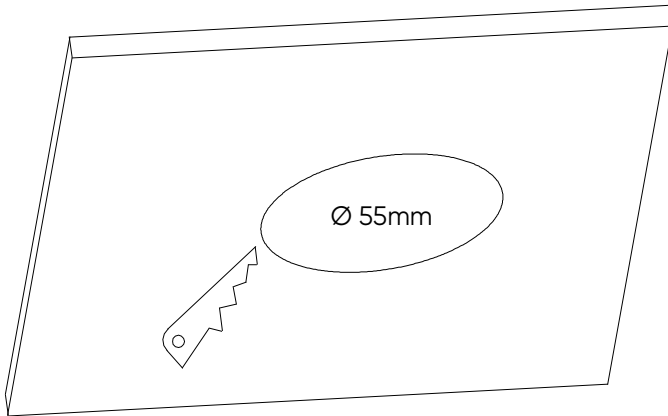


STEPS FOR INSTALLATION OF KIT MINI XS TRIM

Everything you wanted to know but were too afraid to ask

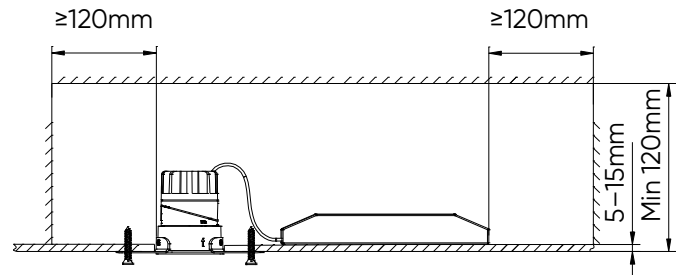
1

Make a hole, \varnothing 55mm at false ceiling.



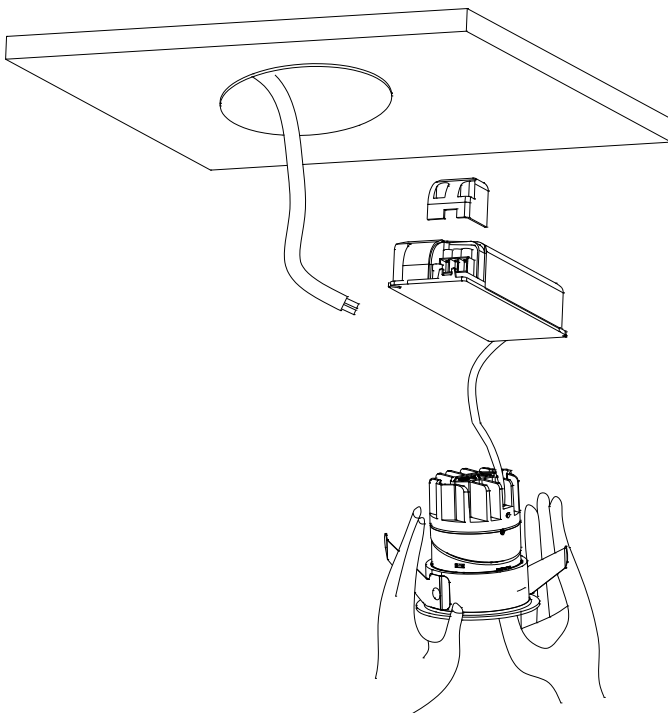
2

Ensure that the below clearances around the fitting are allowed for inside the ceiling space.



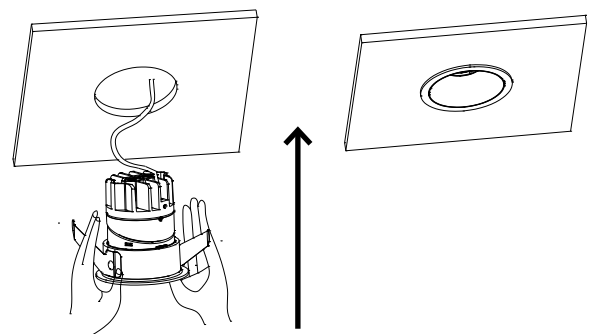
3

Position and plug LED driver in the ceiling space.



4

Push the housing into the hole by compressing spring clips. Release the spring clips once the fitting fits into the hole and adjust to the required angle.

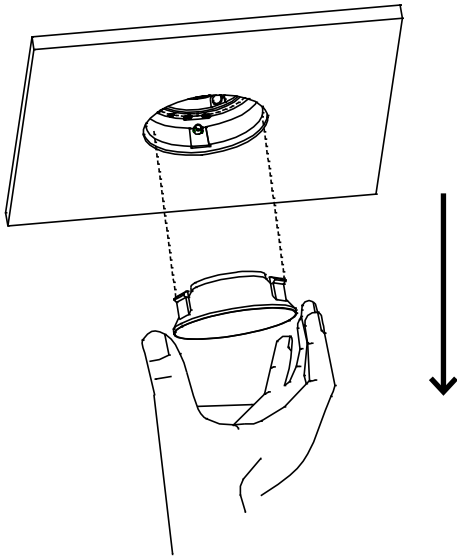


STEPS FOR TILTING & ROTATION FOR KIT MINI XS TRIM

Everything you wanted to know but were too afraid to ask

A

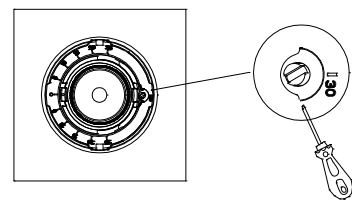
Pull the secondary reflector out.



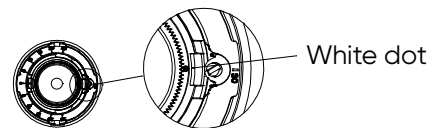
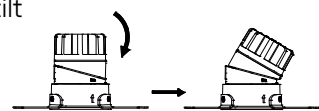
B

For 0-30° tilt angle adjustment:

Use a small flat-head screwdriver to set the scale from 0-30 along the edge of the 'I' slot as shown below. The angle of the luminaire can be determined by the alignment of the white marking point with the scale value on the luminaire.



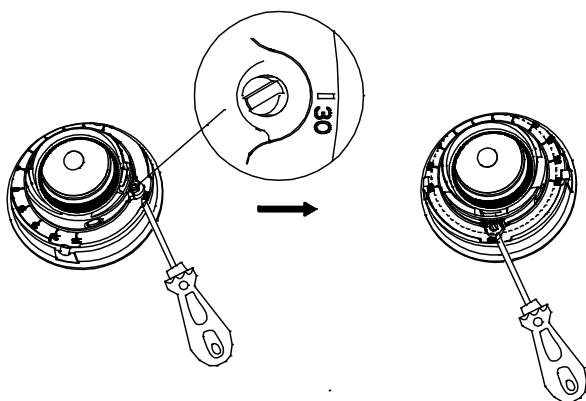
Fixture tilt



C

For 0-360° horizontal rotation:

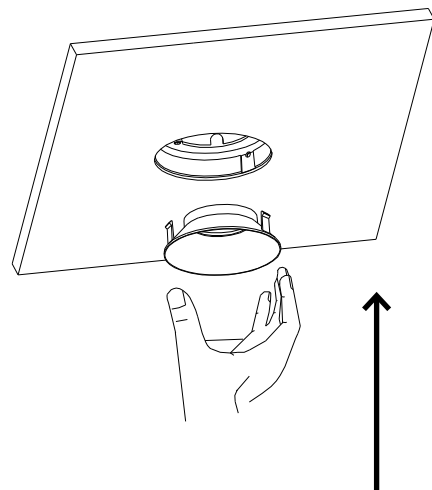
Insert a small flat-head screwdriver into the hole of the dial marked as '30' and turn it clockwise or anti-clockwise to rotate the fitting.



Horizontally adjust

D

Push the secondary reflector in.



Install the reflector