

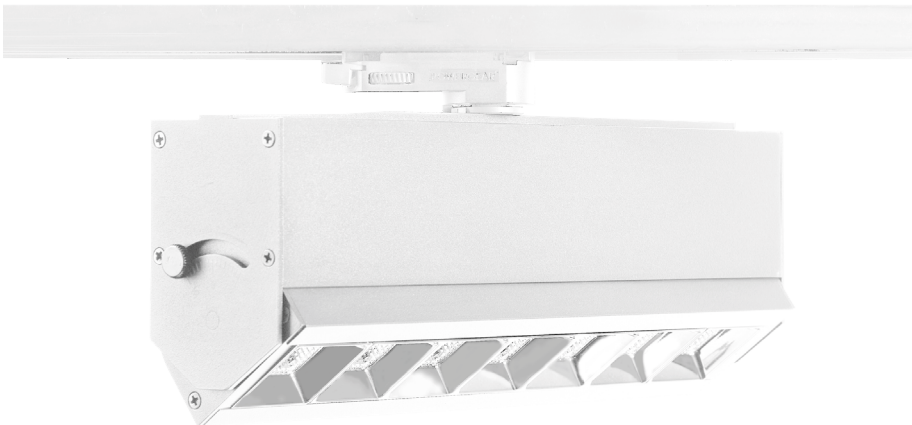
INSTALLATION GUIDE

Everything you wanted to know but were too afraid to ask

ingot

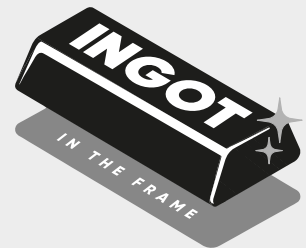
precision meets punch

INGOT



ACHTUNG HOMIES!

- 1 Hit the off switch on power before install.
- 2 Install must only be carried out by someone suitably qualified.
- 3 Only use the product at the specified voltage and frequency.
- 4 It would be sweet if you ♻️ the packaging.
- 5 Read Step 1 again. Thx.



IP20

RoHS

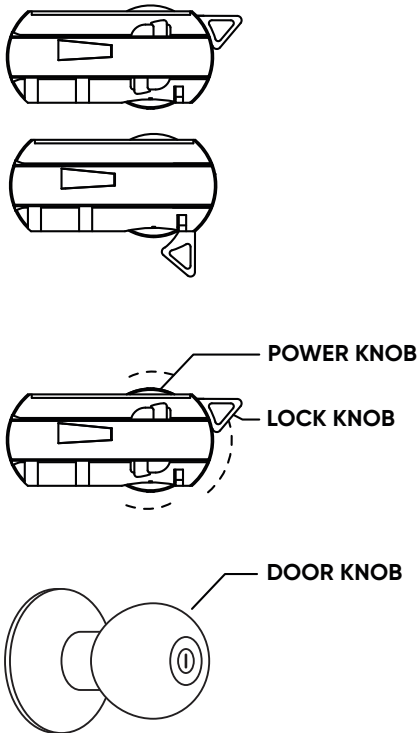


ambience
MAKING LIGHT WORK

+61 3 9486 3699
sales@ambienclighting.com.au
ambienclighting.com.au

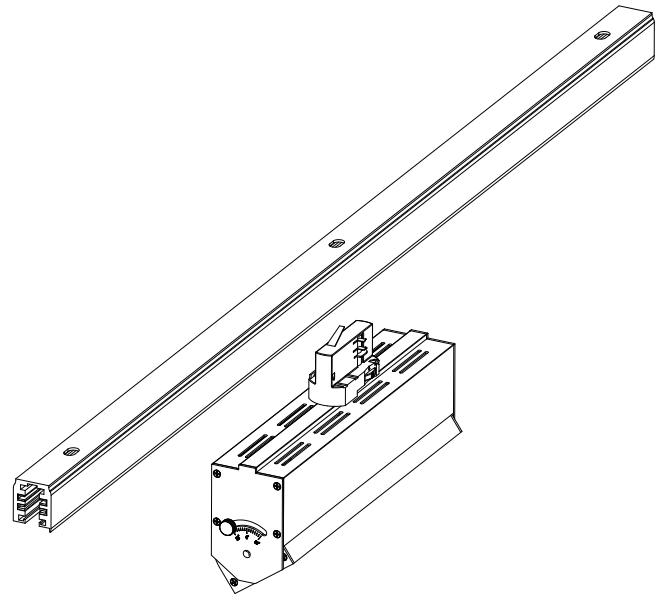
1

Ensure the **LOCK KNOB** & **POWER KNOB** are aligned at 90° with the track adaptor.



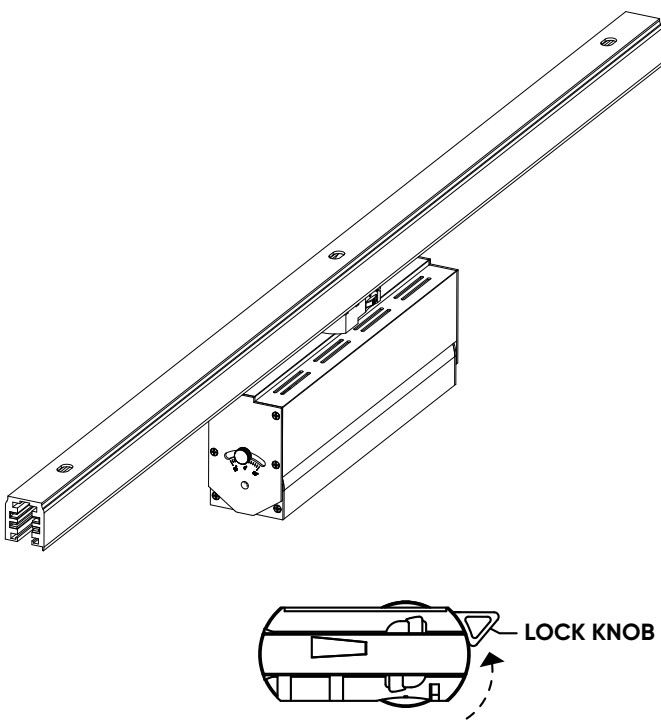
2

Carefully insert the track adaptor into the track.



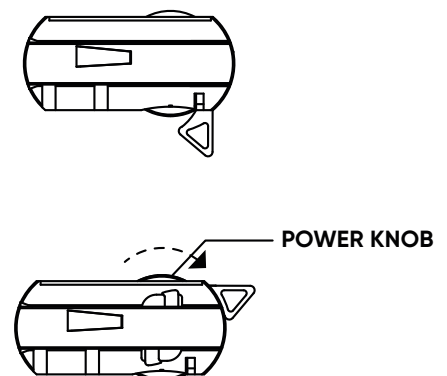
3

Rotate the **LOCK KNOB** 90° anti-clockwise to lock the adaptor into the track. Make sure that the fitting is secured in position.



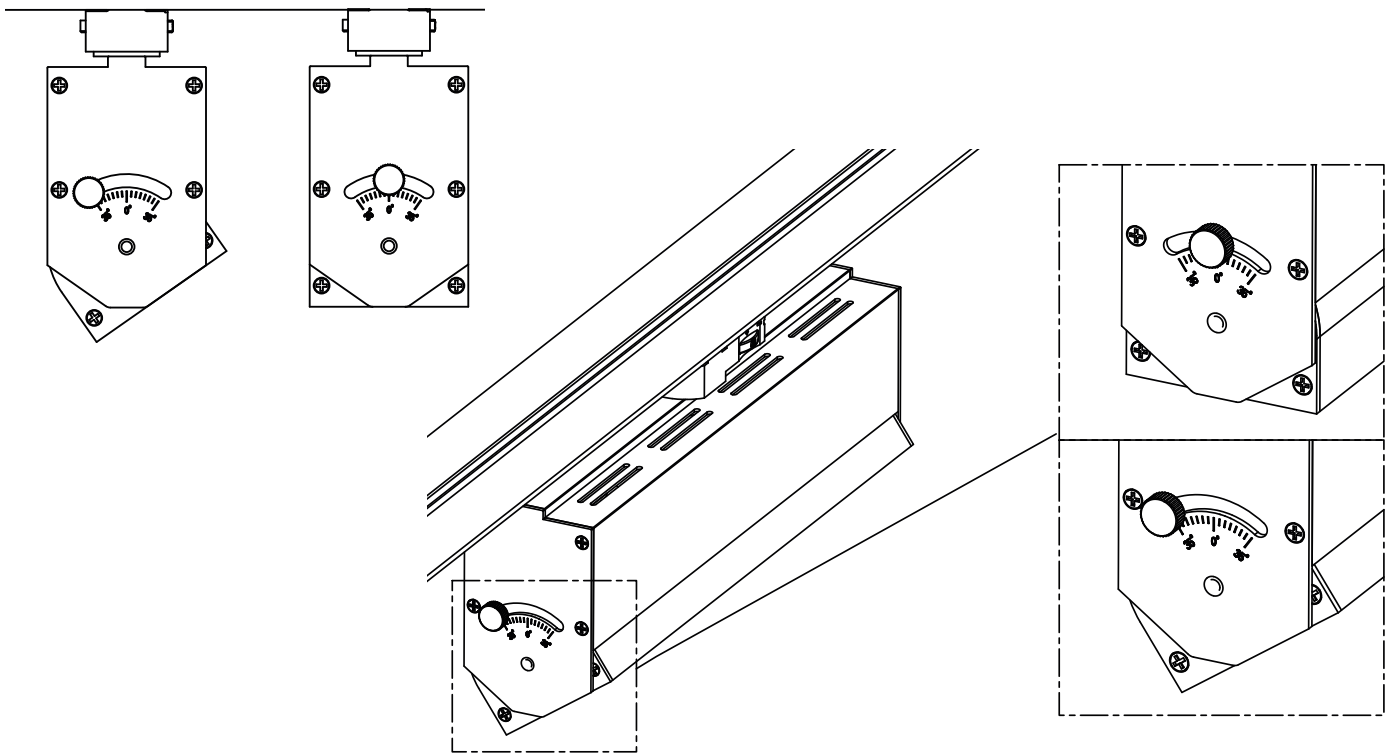
4

Rotate the **POWER KNOB** 90° clockwise to connect to the correct power circuit and turn the fitting ON.



5

Loosen the thumbscrews to adjust the fitting at the desired angle. Once the desired angle is achieved, tighten the thumbscrews to lock the fitting in that position.



6

Installation is complete, celebrate.

