

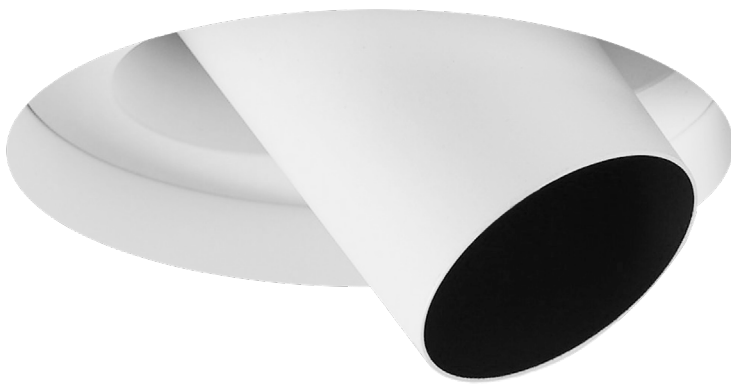
## INSTALLATION GUIDE

Everything you wanted to know but were too afraid to ask

# flow

go with it

### FLOW TRIMLESS DOWNLIGHT



#### WHOA, HOLD IT!

- 1 Hit the off switch on any power before install.
- 2 Install must only be carried out by someone suitably qualified.
- 3 Only use the product at the specified voltage and frequency.
- 4 There is no four. It would be sweet though if you ♻️ the packaging.



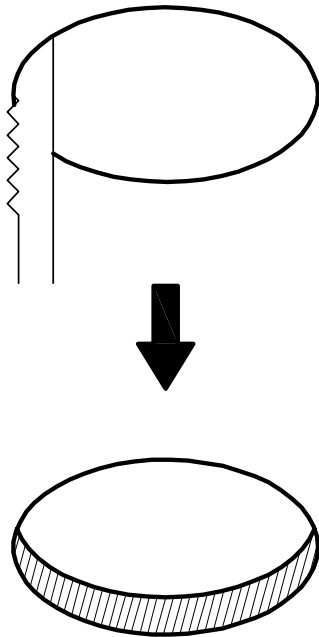
IP20

RoHS



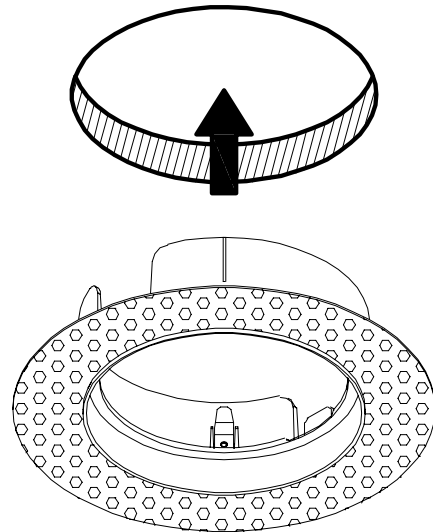
1

Make a hole, Ø 130mm in false ceiling.



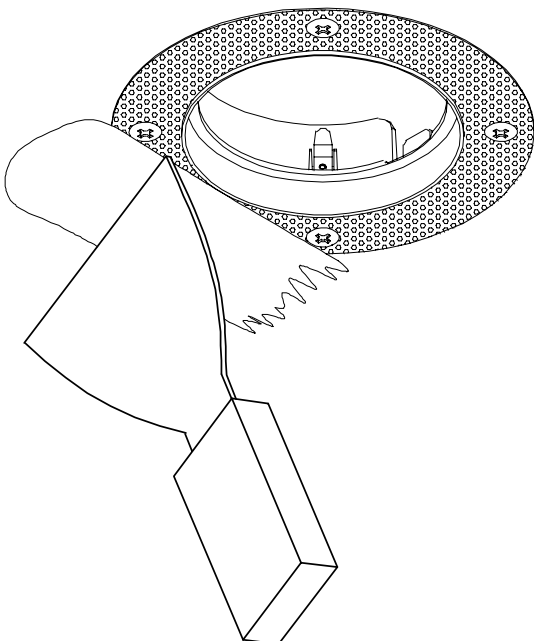
2

Fix the trimless frame on the ceiling using a screw driver.



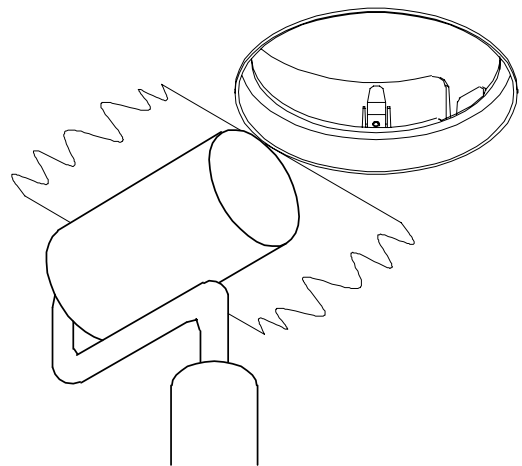
3

Plaster onto the trimless frame to obtain a neat cut-out.



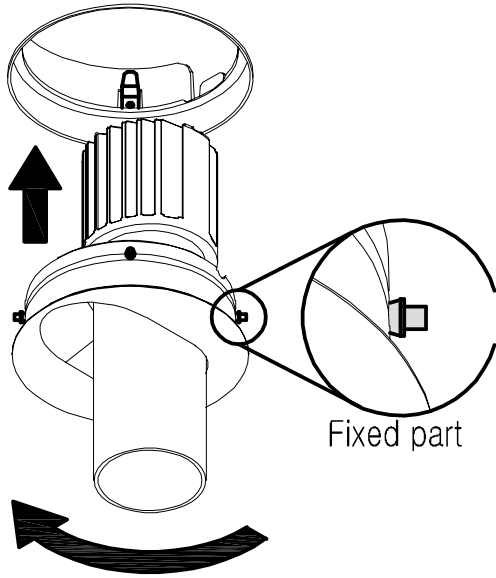
4

Once it's nice and flush, get a little Picasso over the plaster.



5

Position driver in the ceiling space. Push the housing in the hole using springs.



6

Make sure the housing is held tight in its position and get rid of any stains/marks using a clean cloth or glove.

