

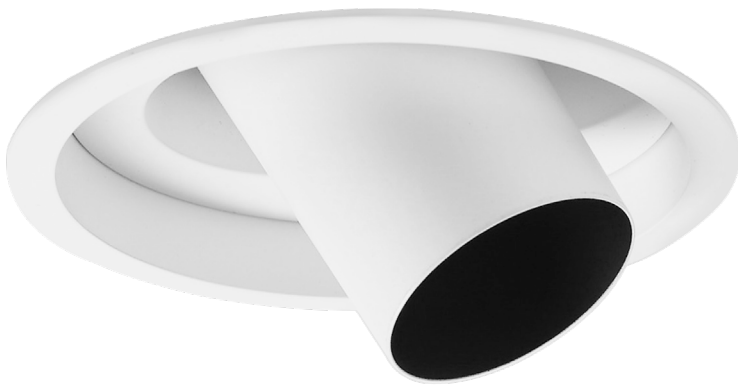
INSTALLATION GUIDE

Everything you wanted to know but were too afraid to ask

flow

go with it

FLOW DOWNLIGHT



WHOA, HOLD IT!

- 1 Hit the off switch on any power before install.
- 2 Install must only be carried out by someone suitably qualified.
- 3 Only use the product at the specified voltage and frequency.
- 4 There is no four. It would be sweet though if you ♻️ the packaging.



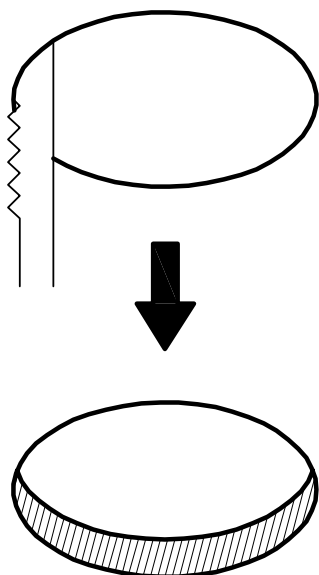
IP20

RoHS



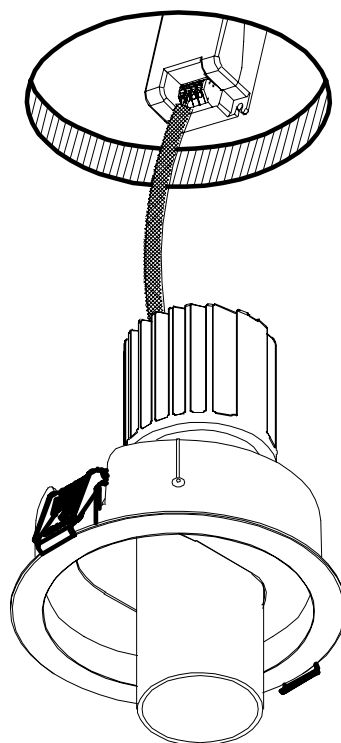
1

Make a hole, Ø127mm in false ceiling.



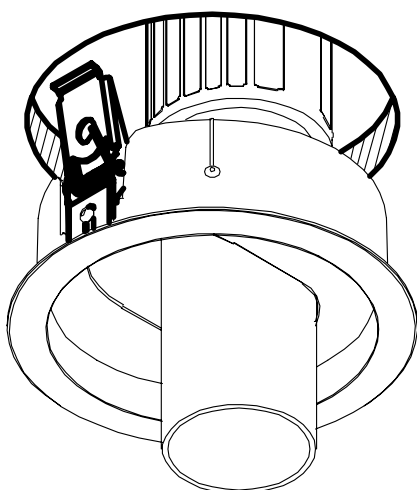
2

Position and plug LED driver in ceiling space, like this.



3

Push the housing into the hole by compressing the spring clips, just like that.



4

Release the spring clips once the fitting fits into the hole and adjust to the required angle, and that's that.

