

INSTALLATION GUIDE

Everything you wanted to know but were too afraid to ask



cabinet light

DIORAMA DOWNLIGHT



WHOA, HOLD IT!

- 1 Hit the off switch on any power before install.
- 2 Install must only be carried out by someone suitably qualified.
- 3 Only use the product at the specified voltage and frequency.
- 4 There is no four. It would be sweet though if you ♻️ the packaging.



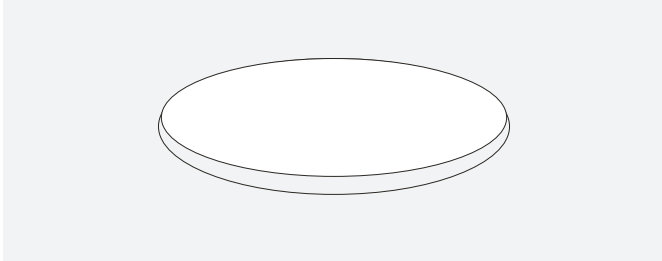
IP20

RoHS



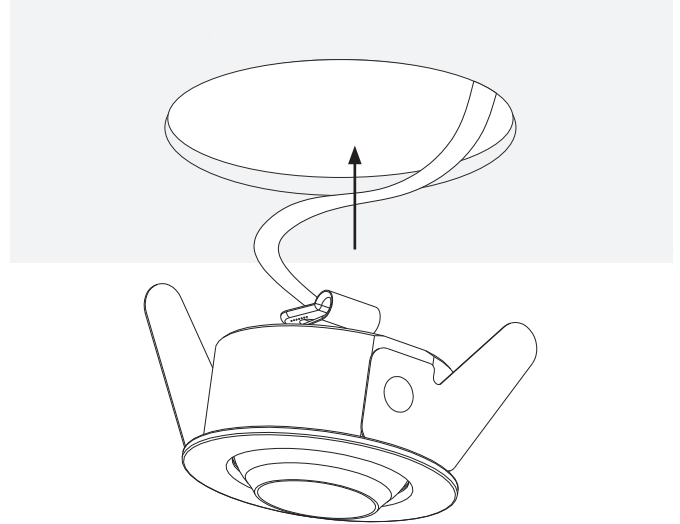
1

Make a hole, $\text{Ø}42\text{mm}$ in the cabinet/shelf.



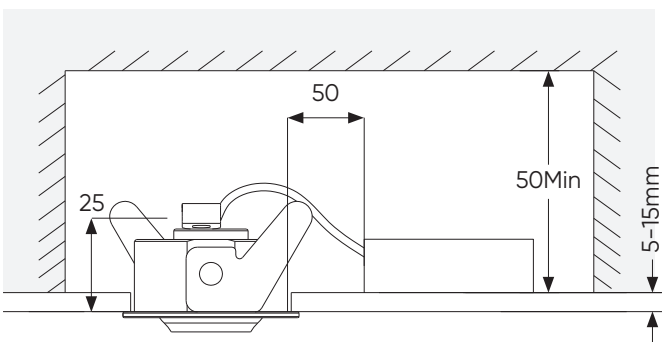
2

Position and plug LED driver in the cavity, like this.



3

Push the housing into the hole by compressing the spring clips, just like that. Please note ceiling clearances as marked below.



4

Release the spring clips once the fitting fits into the hole and adjust to the required angle while holding the trim to prevent it from falling out, and that's that.

