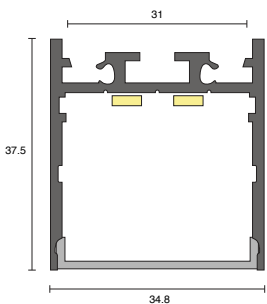


INSTALLATION GUIDE

The A B C D E F G Major of installing **symphony**



DECIBEL WALL MOUNTED



IMPORTANT STUFF

- Please install the profile on a suitable surface.
- This profile is suitable for suspended and surface mounting.
- Please follow our guide, if you don't strange things could happen.
- Ambience is not liable if instructions not followed.
- Tools and screws not included.
- Actual product may vary from the pictures.
- It would be sweet if you ♻️ the packaging.

PLEASE NOTE

Failure to follow installation instructions may void warranty. Please refer to our standard terms and conditions and warranty details: ambienclighting.com.au



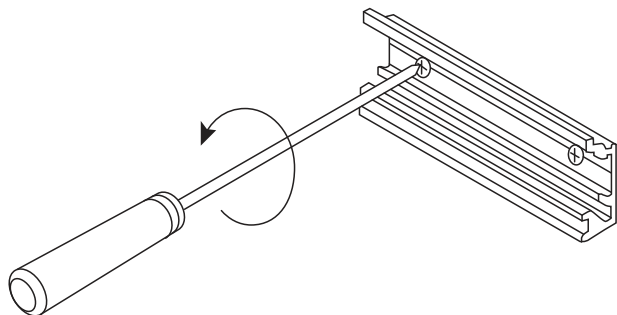
5
YEAR

IP20

RoHS

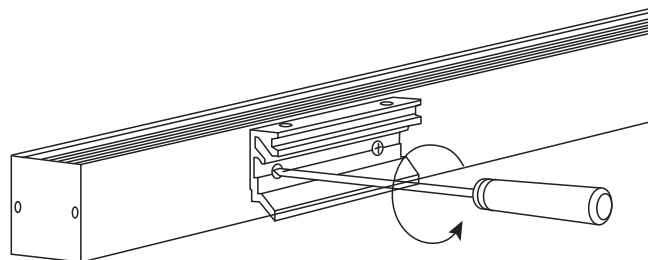
1

Attach the wall side clip to surface.



2

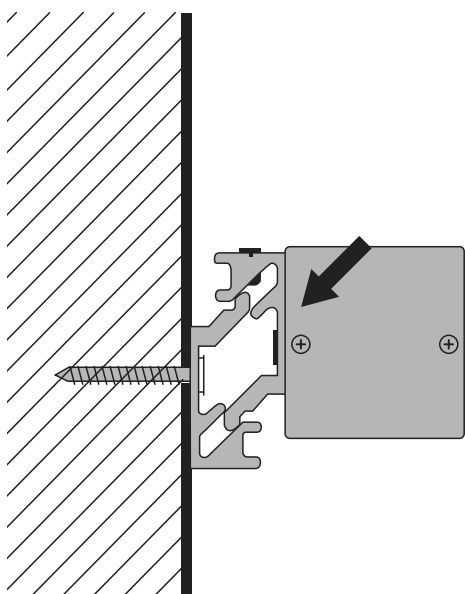
Attach the other side of clip to light fixture.



Note: Keep hands on screwdriver or it will fall.

3

Mount the light fixture onto the wall attachment.



4

Secure the clips to ensure it stays in place.

