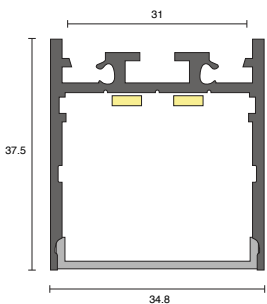
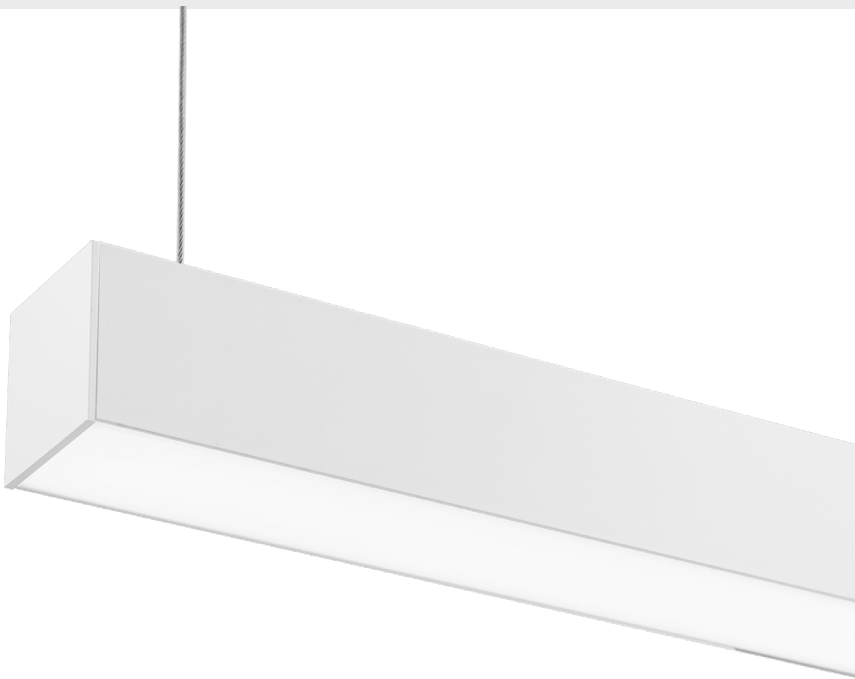


INSTALLATION GUIDE

The A B C D E F G Major of installing **symphony**



DECIBEL SUSPENDED



IMPORTANT STUFF

- Please install the profile on a suitable surface.
- This profile is suitable for suspended and surface mounting.
- Please follow our guide, if you don't strange things could happen.
- Ambience is not liable if instructions not followed.
- Tools and screws not included.
- Actual product may vary from the pictures.
- It would be sweet if you ♻️ the packaging.

PLEASE NOTE

Failure to follow installation instructions may void warranty. Please refer to our standard terms and conditions and warranty details: ambienclighting.com.au



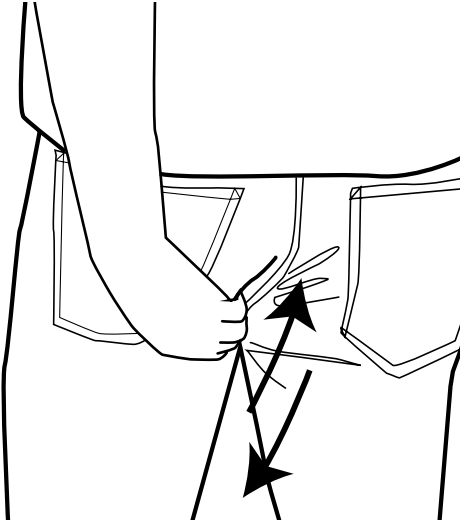
5
YEAR

IP20

RoHS

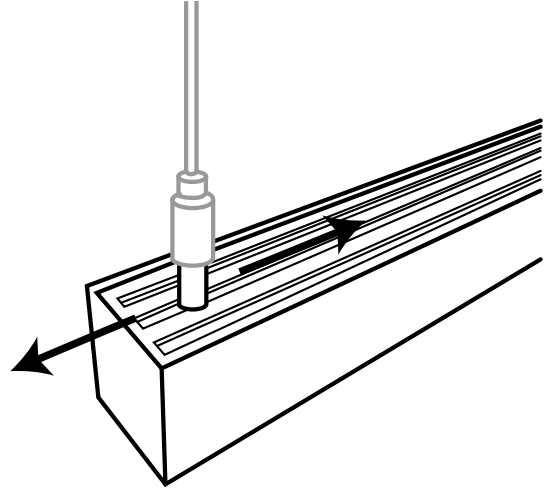
1

Make yourself comfy.



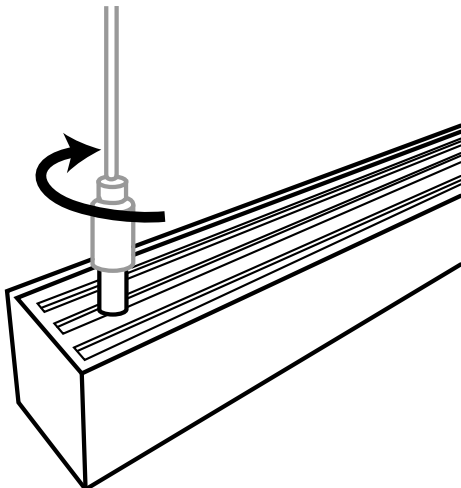
2

Adjust the suspension to a suitable position on the profile as illustrated.



3

Turn the cylinder clockwise to tighten once the position has been finalised as illustrated. It is recommended to use mounting clips every 1500mm.



4

Drill holes in the ceiling, the same distance apart as the suspension on the light fitting. With the help of suitable screws, mount the ceiling barrels provided with the fitting as illustrated. Adjust the suspension length if necessary.

