

## INSTALLATION GUIDE

The A B C D E F G Major of installing **symphony**



### BOOST



### IMPORTANT STUFF

- LED tape is fragile, so please follow these instructions carefully when installing LED tape on the profile.
- It is recommended to use anti-static palm gloves at all times during the installation.
- If you have no anti-static gloves perform an anti-static dance.
- Ambience is not liable if instructions not followed.
- Actual product may vary from the pictures.
- It would be sweet if you ♻️ the packaging.

### PLEASE NOTE

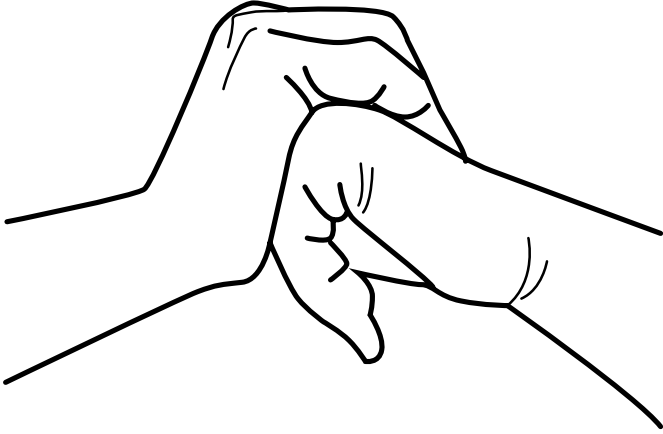
Failure to follow installation instructions may void warranty. Please refer to our standard terms and conditions and warranty details: [ambienclighting.com.au](http://ambienclighting.com.au)

5  
YEAR

IP20 RoHS

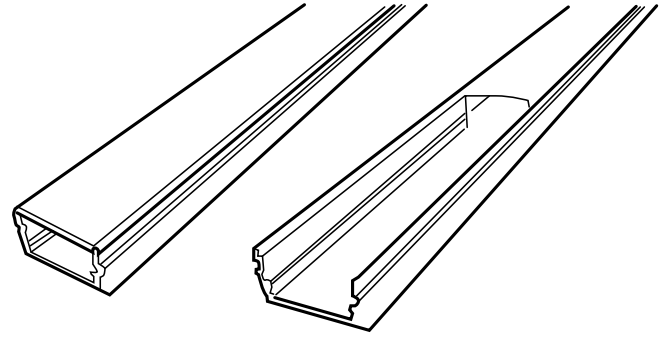
1

Crack your knuckles at a loud enough volume to let onlookers know you mean business.



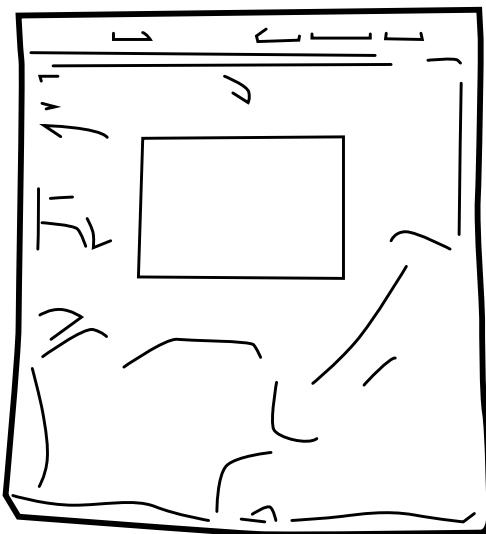
2

Remove the diffuser carefully from the profile.



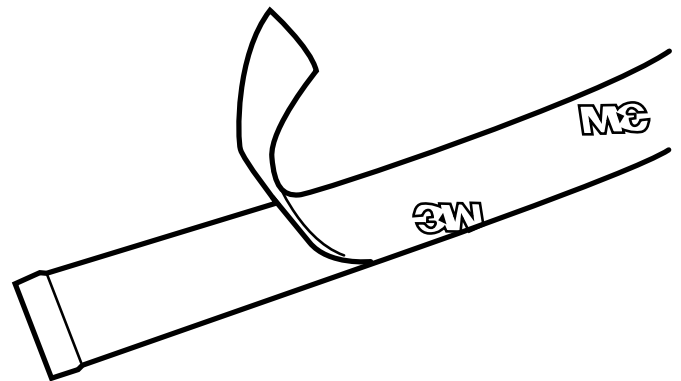
3

Remove the LED tape provided from the anti-static bag. You can re-use the bag as a novelty hat.



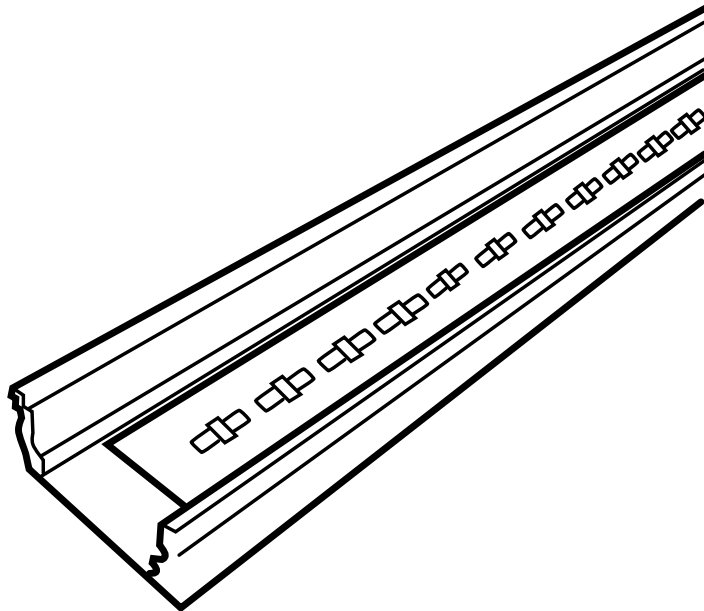
3

Peel the paper to expose the adhesive behind the LED tape.



4

Carefully stick the LED tape on the profile without touching the LED module (yellow component) of the LED tape. Please also ensure the tape is gently pressed vertically and avoid rubbing fingers on the components.



5

Put the diffuser back on the profile carefully. Please also ensure that the end caps have been installed on the ends properly. Now, it's time to dance.

