

INSTALLATION GUIDE

The A B C D E F G Major of installing **symphony**

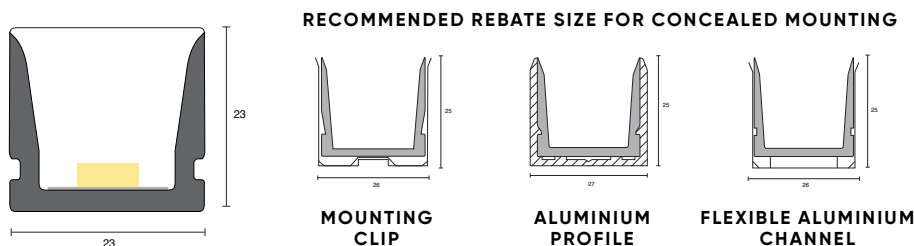


BENDABLE SERENADE



IMPORTANT STUFF

- Please install the profile on a suitable surface.
- This flex is suitable for surface and concealed mounting.
- Please follow our guide, if you don't strange things could happen.
- Ambience is not liable if instructions not followed.
- Tools and screws not included.
- Actual product may vary from the pictures.
- It would be sweet if you ♻️ the packaging.



PLEASE NOTE

Failure to follow installation instructions may void warranty. Please refer to our standard terms and conditions and warranty details: ambienclighting.com.au



3
YEAR

IP20

IP44

IP67

RoHS

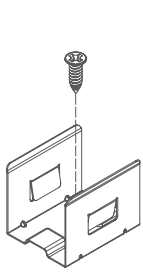
ambience
MAKING LIGHT WORK

+61 3 9486 3699
sales@ambienclighting.com.au
ambienclighting.com.au

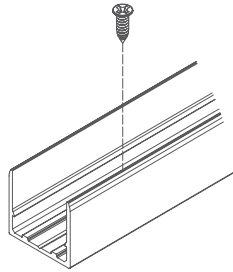
FLEX INSTALLATION

1

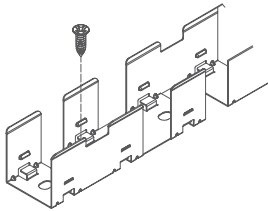
Locate the mounting clips provided.



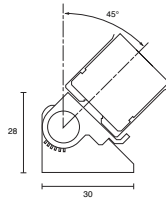
**MOUNTING
CLIP**



**ALUMINIUM
PROFILE**



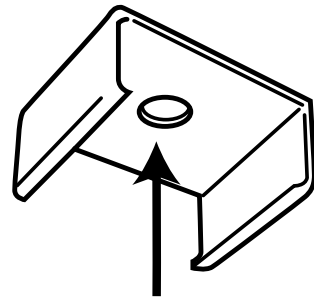
**FLEXIBLE
ALUMINIUM
CHANNEL**



**ROTATABLE
BRACKET**

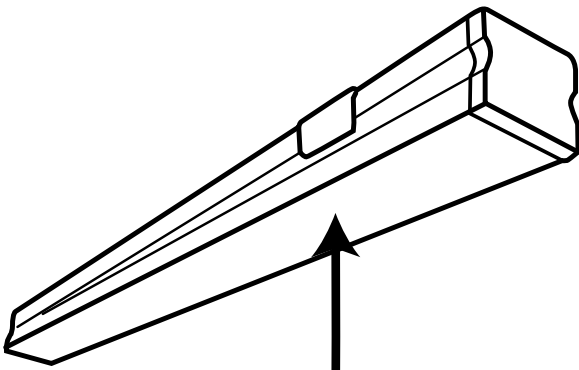
2

Mount the clips on to the surface with the help of a suitable self-tapping screw.



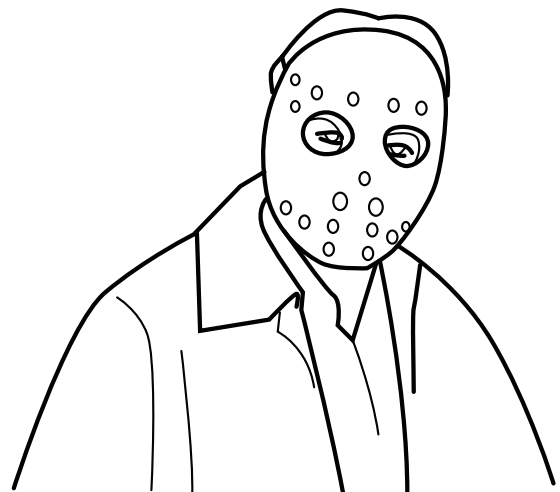
3

Insert the profile into the mounting clip.



4

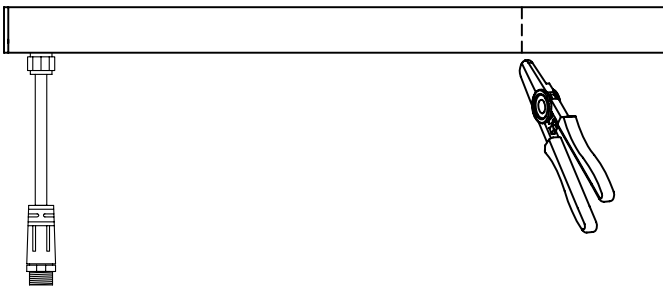
For added effect repeat steps 1-3 in a hockey mask.



STEPS FOR FLEX CUTTING & WIRE SOLDERING

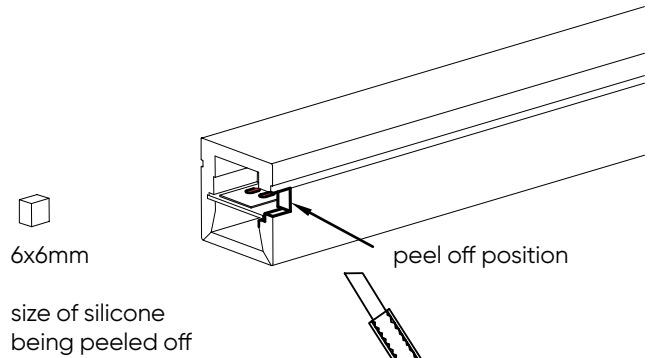
1

First, turn power off. Good. Now, cut the LED strip along the cutting mark on the back of the jacket (here it's cut into three pieces).



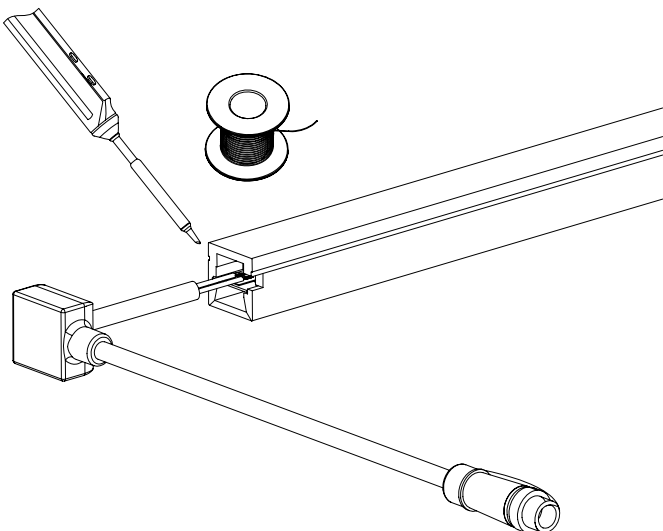
2

Peel off a small part of silicone on one side, for power cable entry in the side-feed version. (Peel off a small part of silicone on the bottom side, for power cable entry in the bottom-feed version.)



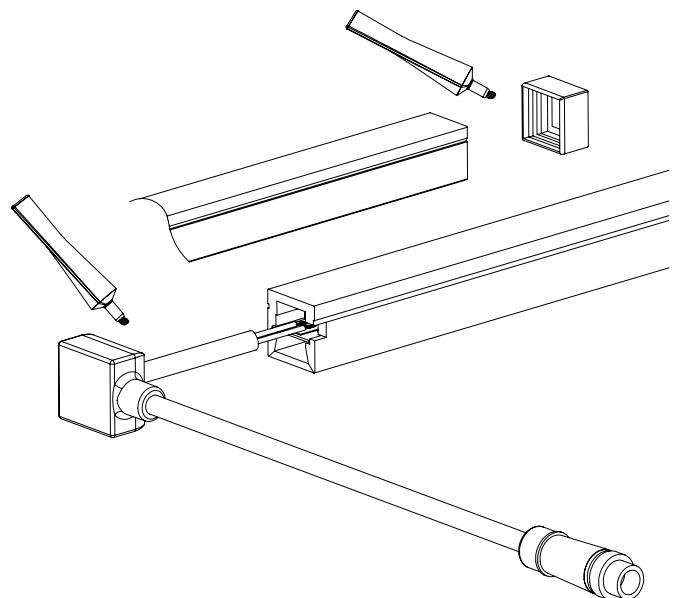
3

Thread the power cable to the end cap (power cable with female plug), and then solder the power cable to the inner LED strip following the correct polarity mark (red wire for "+" and black wire for "-").



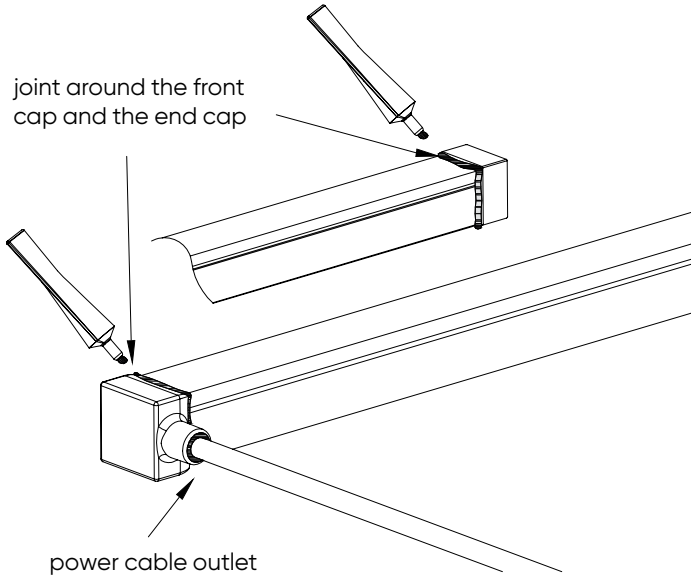
4

Apply the adhesive glue inside the front cap and the end cap, and then press the power cable to the jacket notch.



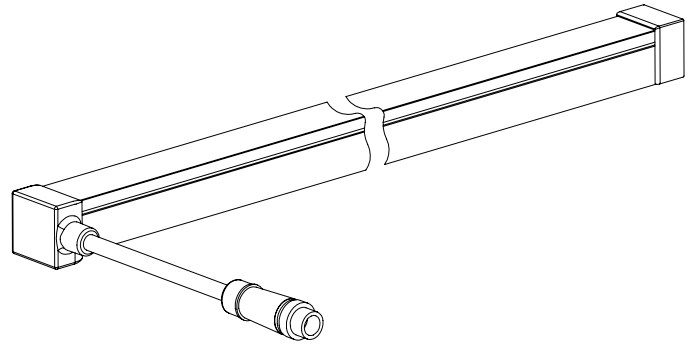
5

Cover the front cap and the end cap to the jacket, and then apply more glue on the joint around the front cap, end cap and power cable outlet to strengthen the sealing.



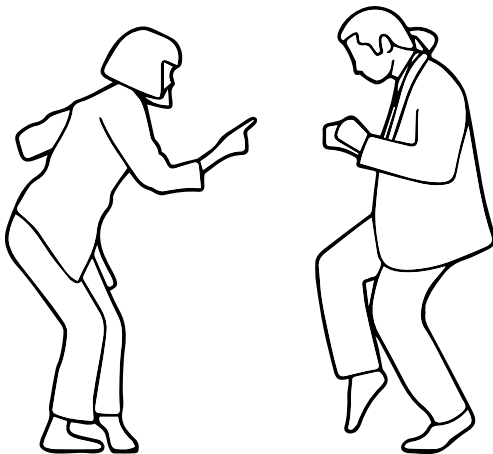
6

Place the finished product level horizontally. Careful to avoid putting pressure on the end cap, front cap and power cable.



7

Leave to dry for four hours.



8

Finally, power the LED strip to make sure it lights up properly. Job done.

