

INSTALLATION GUIDE

The A B C D E F G Major of installing **symphony**



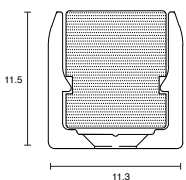
BENDABLE PICCOLO



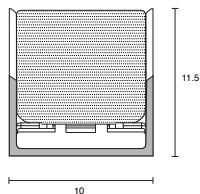
IMPORTANT STUFF

- Please install the profile on a suitable surface.
- This flex is suitable for surface and concealed mounting.
- Please follow our guide, if you don't strange things could happen.
- Ambience is not liable if instructions not followed.
- Tools and screws not included.
- Actual product may vary from the pictures.
- It would be sweet if you ♻️ the packaging.

RECOMMENDED REBATE SIZE FOR CONCEALED MOUNTING



ALUMINIUM PROFILE



MOUNTING CLIP

PLEASE NOTE

Failure to follow installation instructions may void warranty. Please refer to our standard terms and conditions and warranty details: ambienclighting.com.au



3
YEAR

IP20

IP44

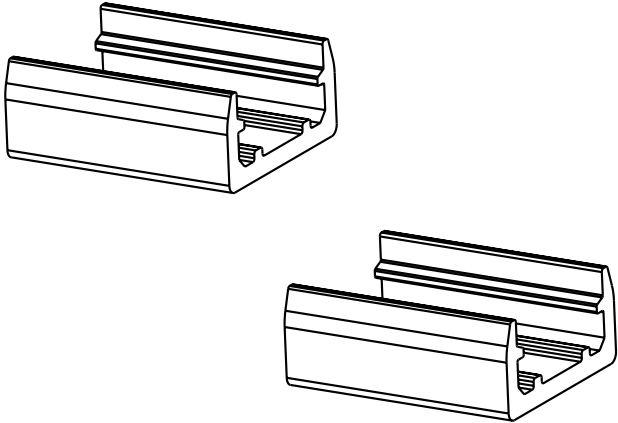
IP65

RoHS

MOUNTING CLIP INSTALLATION

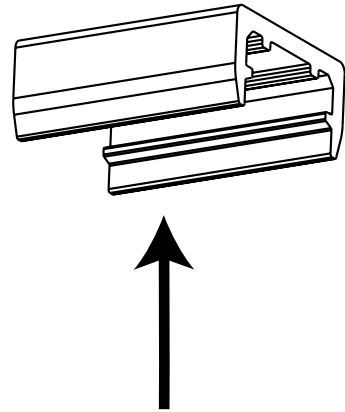
1

Locate the mounting clips provided.



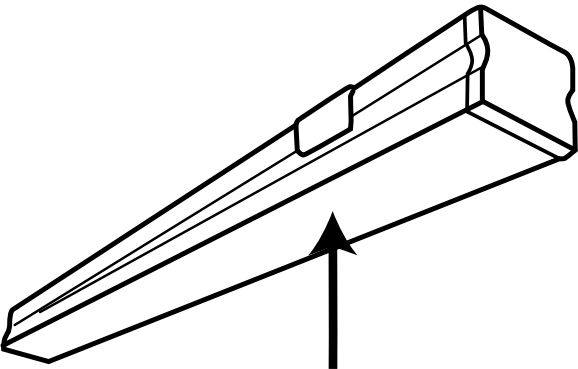
2

Mount the clips on to the surface with the help of a suitable self-tapping screw.



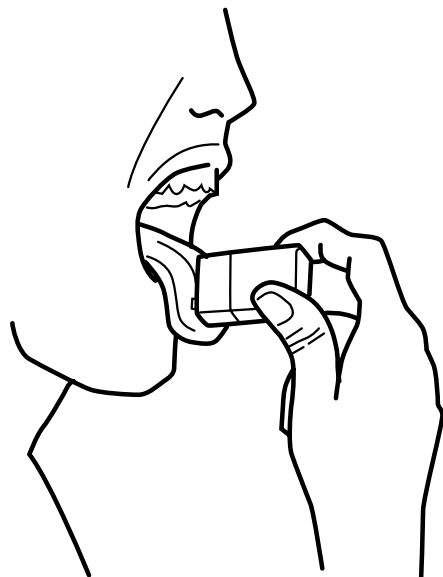
3

Insert the profile into the mounting clip.



4

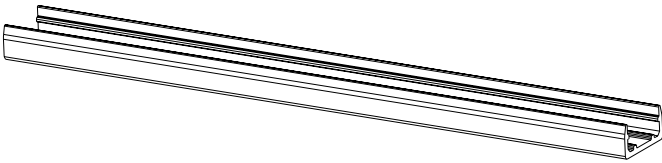
Now go out and have some fun.



ALUMINIUM PROFILE INSTALLATION

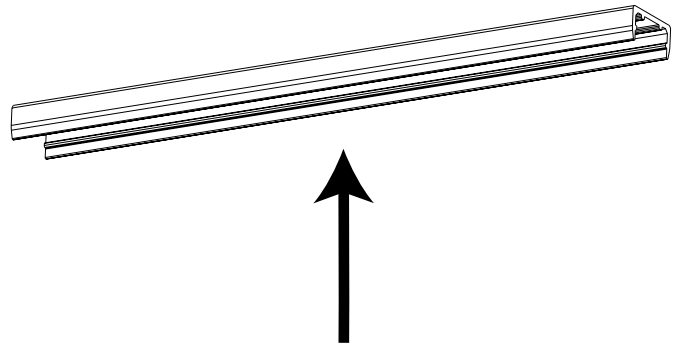
1

Locate the mounting clips provided.



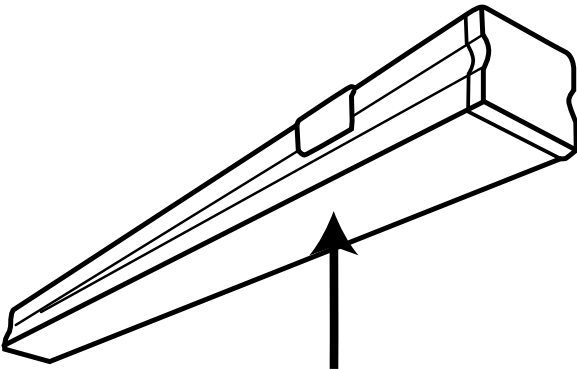
2

Mount the clips on to the surface with the help of a suitable self-tapping screw.



3

Insert the profile into the mounting clip.



4

Now put your hands in the air and wave them like you just don't care.

