

INSTALLATION GUIDE

The A B C D E F G Major of installing **symphony**



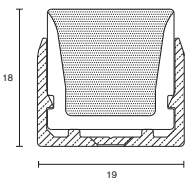
BENDABLE MEDLEY



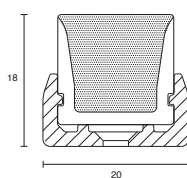
IMPORTANT STUFF

- Please install the profile on a suitable surface.
- This flex is suitable for surface and concealed mounting.
- Please follow our guide, if you don't strange things could happen.
- Ambience is not liable if instructions not followed.
- Tools and screws not included.
- Actual product may vary from the pictures.
- It would be sweet if you ♻️ the packaging.

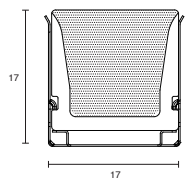
RECOMMENDED REBATE SIZE FOR CONCEALED MOUNTING



ALUMINIUM PROFILE



MOUNTING CLIP



FLEXIBLE ALUMINIUM CHANNEL

PLEASE NOTE

Failure to follow installation instructions may void warranty. Please refer to our standard terms and conditions and warranty details: ambienclighting.com.au



3
YEAR

IP20

IP44

IP67

RoHS

FLEX INSTALLATION

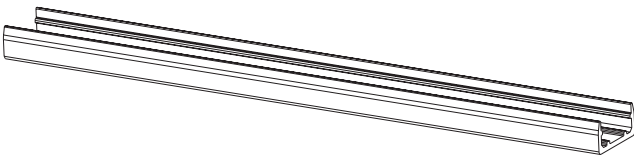
1

Locate the mounting clips provided.

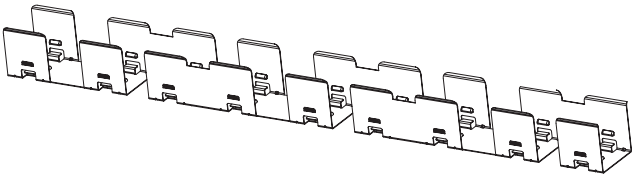
MOUNTING CLIP



ALUMINIUM PROFILE

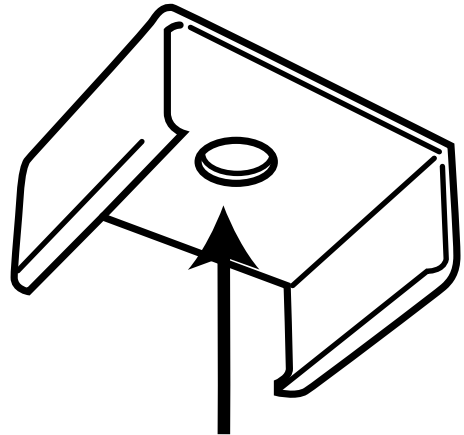


FLEXIBLE ALUMINUM CHANNEL



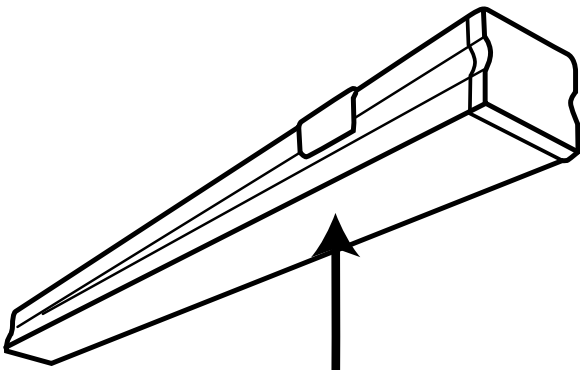
2

Mount the clips on to the surface with the help of a suitable self-tapping screw.



3

Insert the profile into the mounting clip.



4

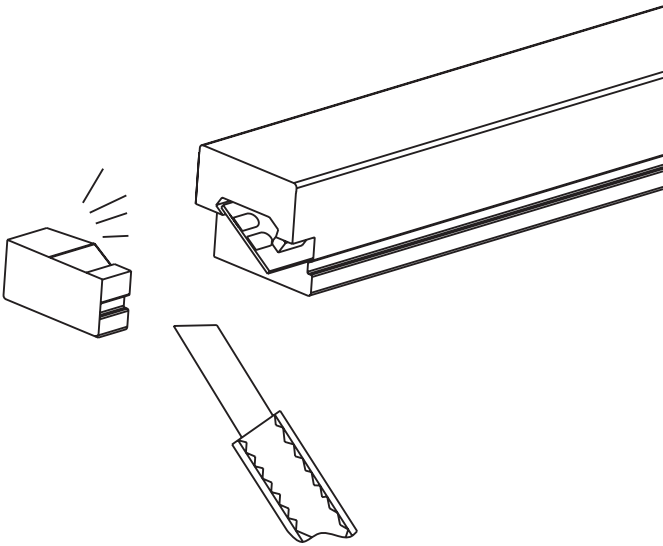
For added effect repeat steps 1-3 in a hockey mask.



STEPS FOR FLEX CUTTING & WIRE SOLDERING

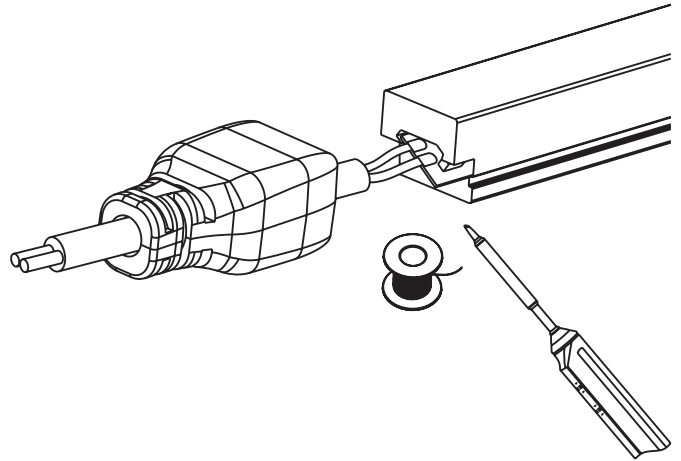
1

Cut off some parts of bottom silicone jacket in 3mm length carefully, until these bottom solder pads on PCB are exposed.



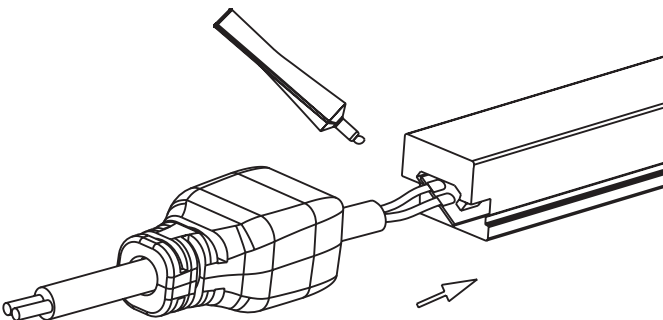
2

Solder the power cable to the bottom solder pads on PCB.



3

Fill the inner part of front endcap by silicone glue completely.



4

Fill the inner part of tail endcap by silicone glue completely.

