

INSTALLATION GUIDE

Everything you wanted to know but were too afraid to ask

andro.

think. again.

ANDRO TRIMLESS



WHOA, HOLD IT!

- 1 To avoid non-replaceable damage of custom-painted fittings, the secondary ring must be removed before adjusting the inner tube. The inner tube must be adjusted at ground level before ceiling installation.
- 2 Hit the off switch on any power before install.
- 3 Install must only be carried out by someone suitably qualified.
- 4 Only use the product at the specified voltage and frequency.
- 5 It would be sweet if you ♻️ the packaging.
- 6 Read Step 1 again. Thx.



IP20

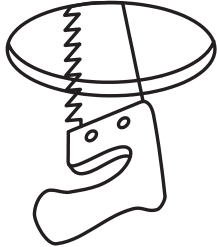
RoHS



1

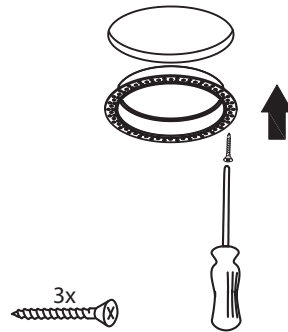
Cut a hole in the ceiling as per the nominated cut-out sizes:

- XS Ø95mm
- S Ø105mm
- M Ø122mm
- L Ø136mm



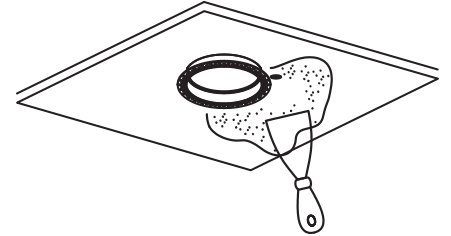
2

Fix the Trimless frame on the ceiling using a screw driver.



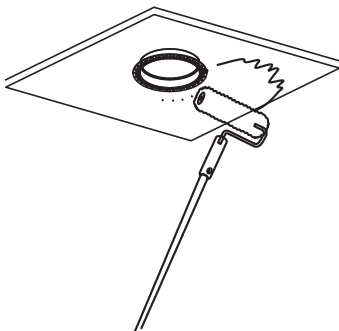
3

Plaster onto the Trimless frame to obtain a neat cut-out.



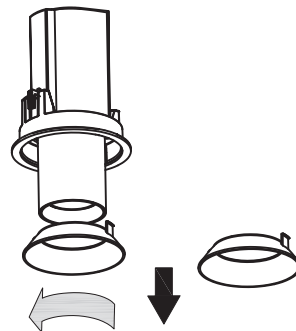
4

Once it's nice and flush, get a little Picasso over the plaster.



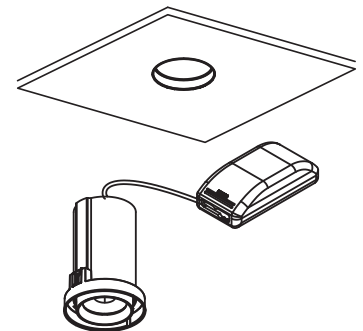
5

Remove the secondary ring by rotating it anti-clockwise and pulling it out.



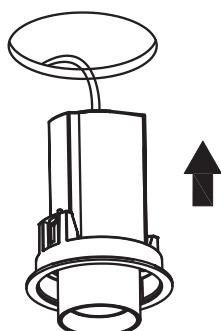
6 A

Position driver in the ceiling space.



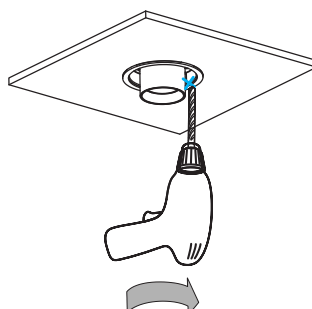
6 B

Push the housing in the hole.



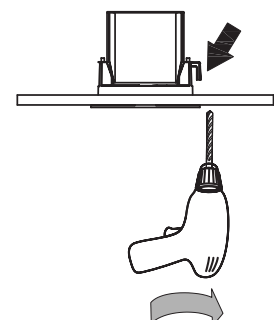
7 A

Fix the screws onto the ceiling using a screw driver.



7 B

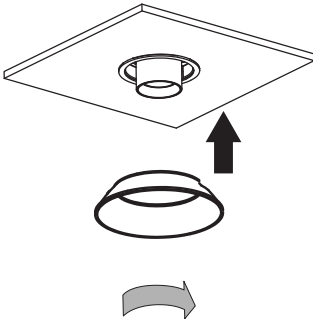
Tighten the screws until the flanges on the housing are retracted and the housing is held tight in its position.



ANDRO TRIMLESS INSTALL STEPS

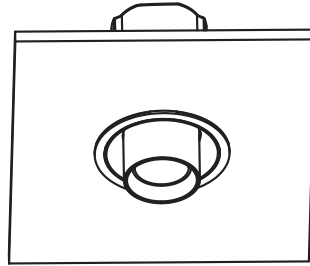
8

Fix the secondary ring back onto the housing by rotating it clockwise and pushing it in.



9

Turn ON power supply to complete installation.



10

Now repurpose your **andro** packaging to store tech cords.

