

INSTALLATION GUIDE

Everything you wanted to know but were too afraid to ask

andro.

think. again.

ANDRO TRACKLIGHT



WHOA, HOLD IT!

- 1 To avoid non-replaceable damage of custom-painted fittings, the secondary ring must be removed before adjusting the inner tube. The inner tube must be adjusted at ground level before ceiling installation.
- 2 Hit the off switch on any power before install.
- 3 Install must only be carried out by someone suitably qualified.
- 4 Only use the product at the specified voltage and frequency.
- 5 It would be sweet if you ♻️ the packaging.
- 6 Read Step 1 again. Thx.



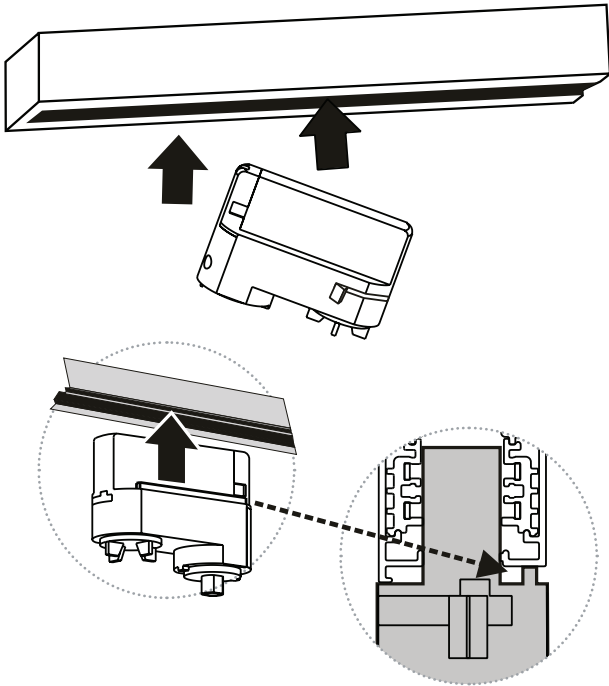
IP20

RoHS



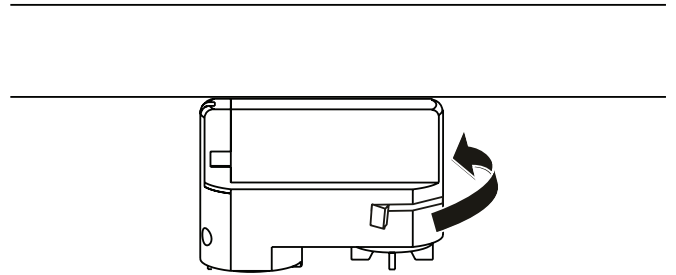
1

Carefully insert the track adaptor into the track.



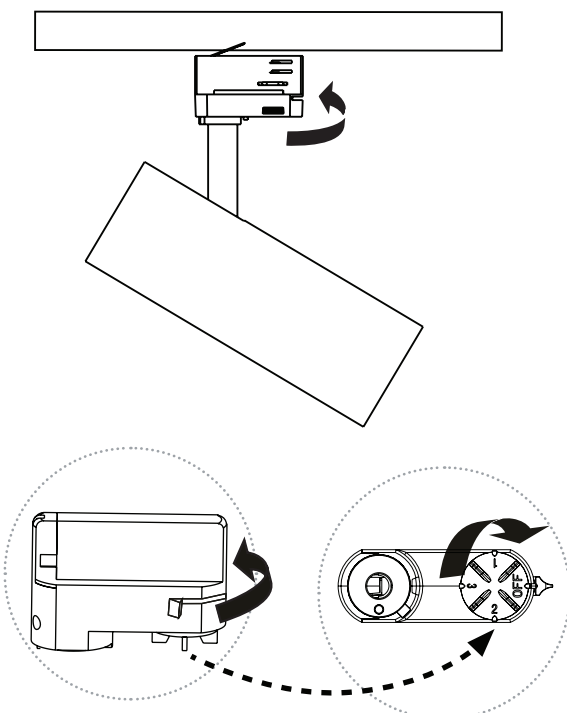
2

Rotate the latch on the adaptor such that it locks into the track. Make sure that the fitting is secured in position.



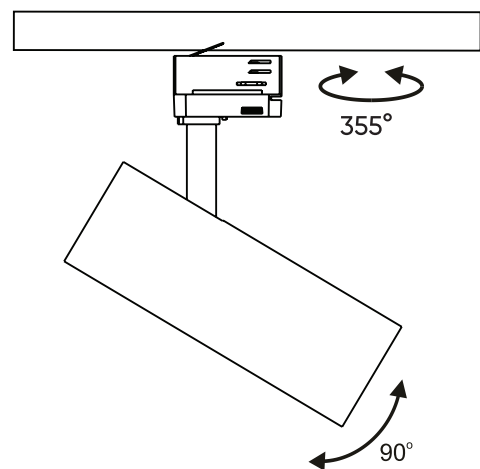
3

Switch the adaptor to the correct circuit number in order to turn it ON and switch it back to 0 to turn it OFF.



4

Adjust the fitting to achieve the desired angle.



5

Now repurpose your **andro** packaging and turn your site into a mini golf course.

