

## INSTALLATION GUIDE

Everything you wanted to know but were too afraid to ask

# andro.

think. again.

### ANDRO SEMI-RECESSED



#### WHOA, HOLD IT!

- 1 To avoid non-replaceable damage of custom-painted fittings, the secondary ring must be removed before adjusting the inner tube. The inner tube must be adjusted at ground level before ceiling installation.
- 2 Hit the off switch on any power before install.
- 3 Install must only be carried out by someone suitably qualified.
- 4 Only use the product at the specified voltage and frequency.
- 5 It would be sweet if you ♻️ the packaging.
- 6 Read Step 1 again. Thx.



IP20

RoHS



1

Cut a hole in the ceiling as per the nominated cut-out sizes:

Andro XXS Ø50mm

Andro XS Ø60mm

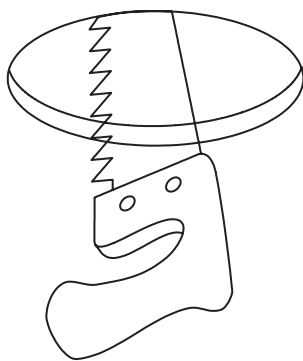
Andro S Ø70mm

Andro M Ø85mm

NOTE: Use a real saw, not a ghost one.

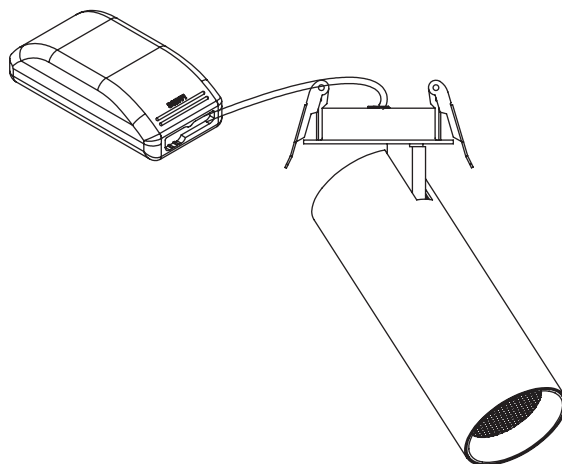
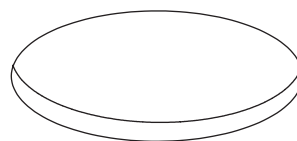


52mm: 60mm  
62mm: 70mm  
75mm: 85mm



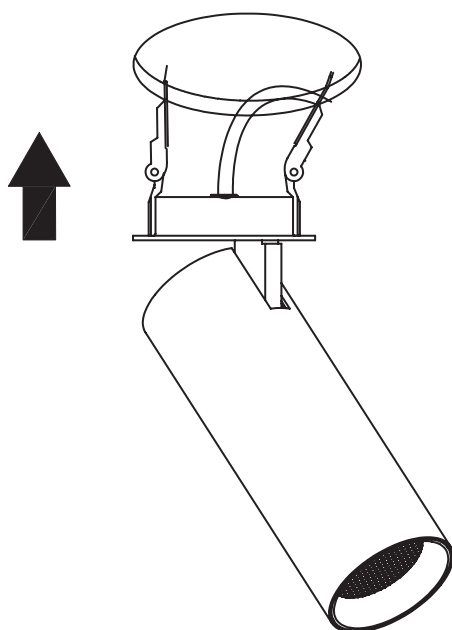
2

Position and plug LED driver in the ceiling space.



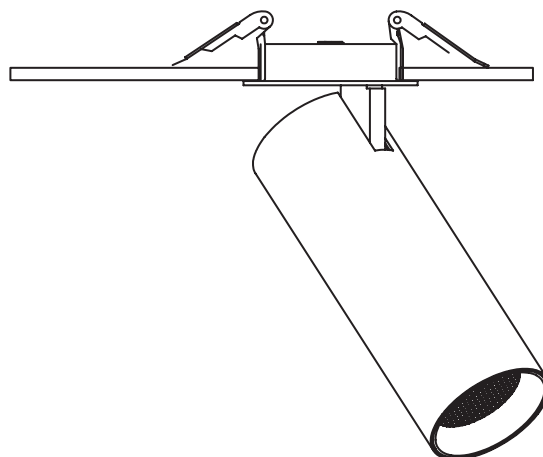
3

Push the housing in the hole by compressing the spring clips.



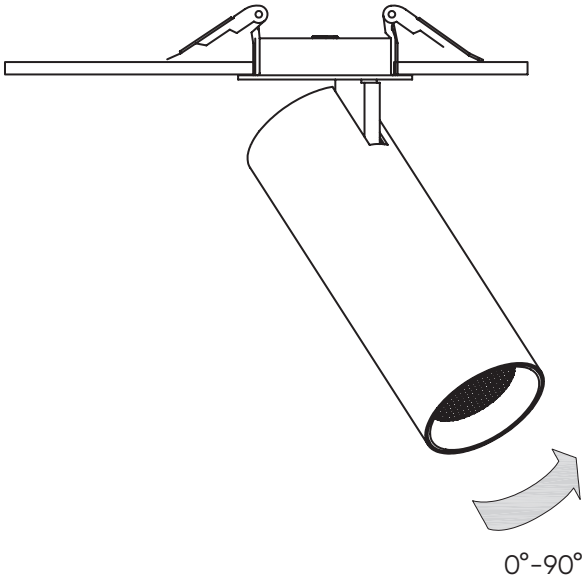
4

Release the spring clips once the fitting fits into the hole.



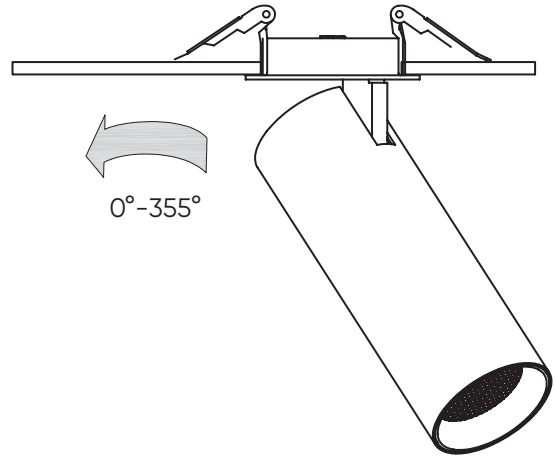
4 A

The fitting can be tilted up to 90°.



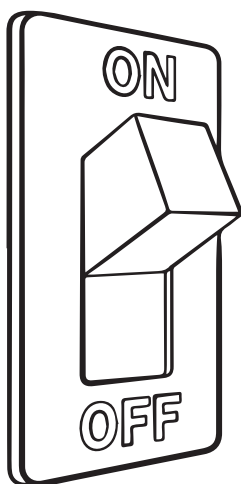
4 B

The fitting can be rotated up to 355°.



5

Turn ON power supply to complete installation.



6

Now repurpose your **andro** packaging to store building block toys.

