

## INSTALLATION GUIDE

Everything you wanted to know but were too afraid to ask

# andro.

think. again.

### ANDRO FIXED SURFACE MOUNTED



#### WHOA, HOLD IT!

- 1 To avoid non-replaceable damage of custom-painted fittings, the secondary ring must be removed before adjusting the inner tube. The inner tube must be adjusted at ground level before ceiling installation.
- 2 Hit the off switch on any power before install.
- 3 Install must only be carried out by someone suitably qualified.
- 4 Only use the product at the specified voltage and frequency.
- 5 It would be sweet if you ♻️ the packaging.
- 6 Read Step 1 again. Thx.



IP20

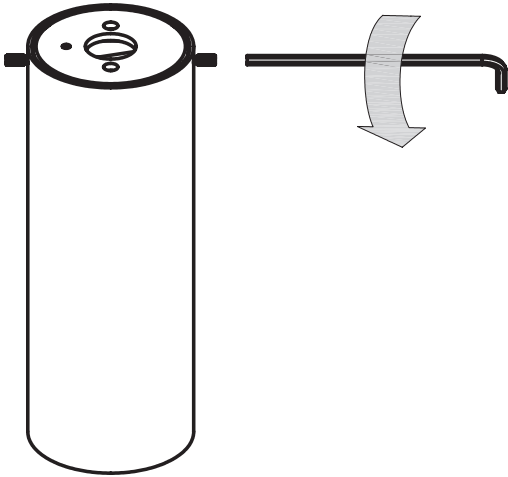
IP65

RoHS



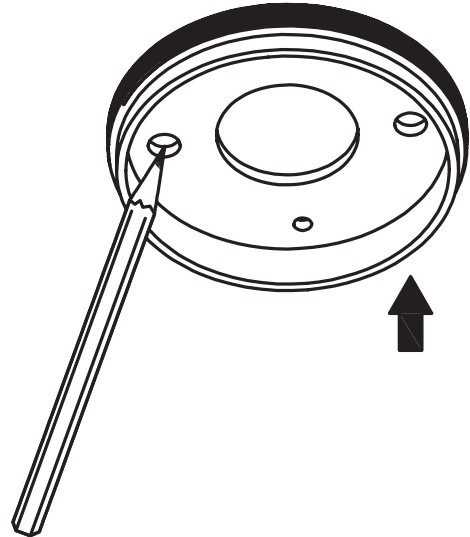
1

Use supplied allen key to undo screws on the sides of the fitting.



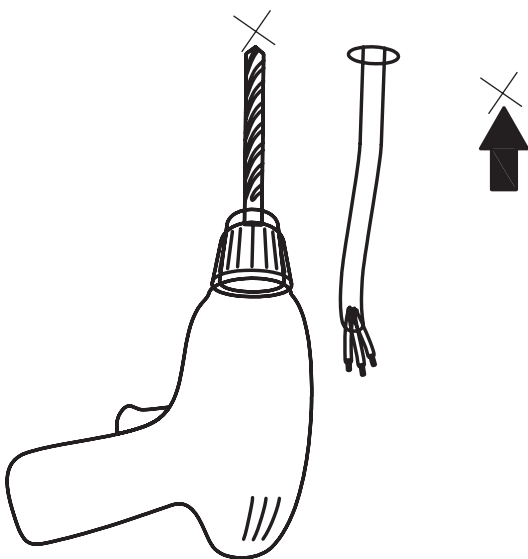
2

Place the back plate on the ceiling and mark location of holes. **Refer to last page for dimensions.**



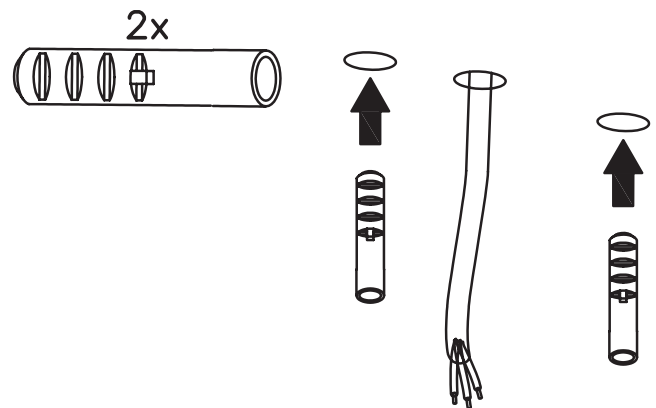
3

Drill 2 x M4 holes in the ceiling at the marked locations.



4

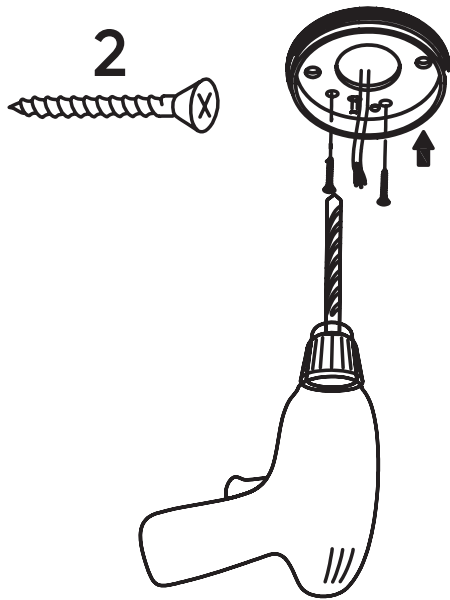
Insert the plastic screw plugs into these holes.



Note: This is a drill not a hairdryer.

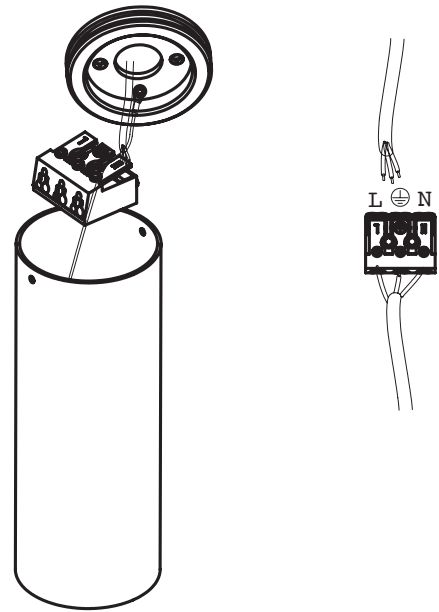
5

Fix the ceiling plate using 2 x M4 screws.



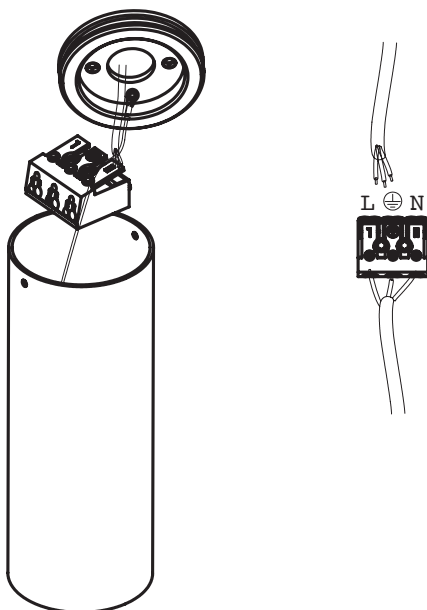
6 IP20

Connect primary wire to terminal block sitting inside of the fitting.



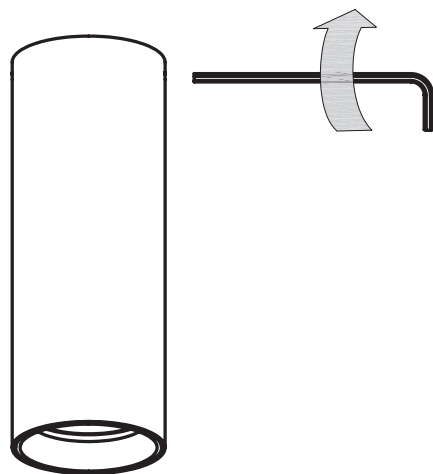
6 IP65

Take out the loose terminal block placed inside the cylinder and connect primary wire to it inside the ceiling. Do not make the wire connection inside the fitting as it will be prone to water damage.



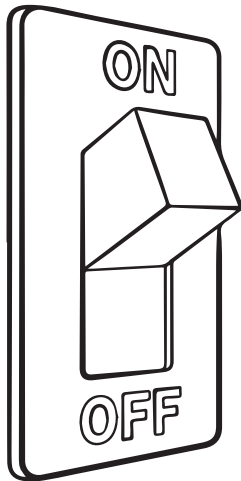
7

Fix the fitting onto the ceiling plate with allen screws.



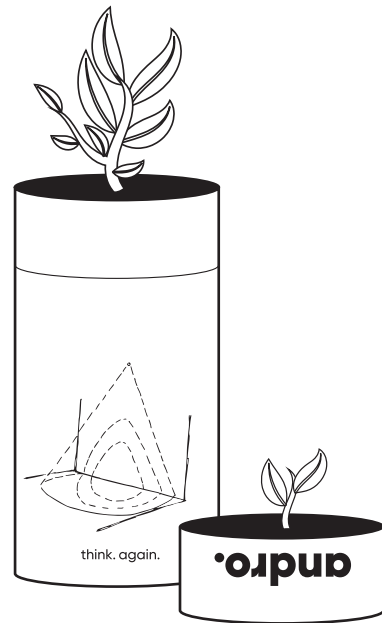
8

Turn ON power supply to complete installation.



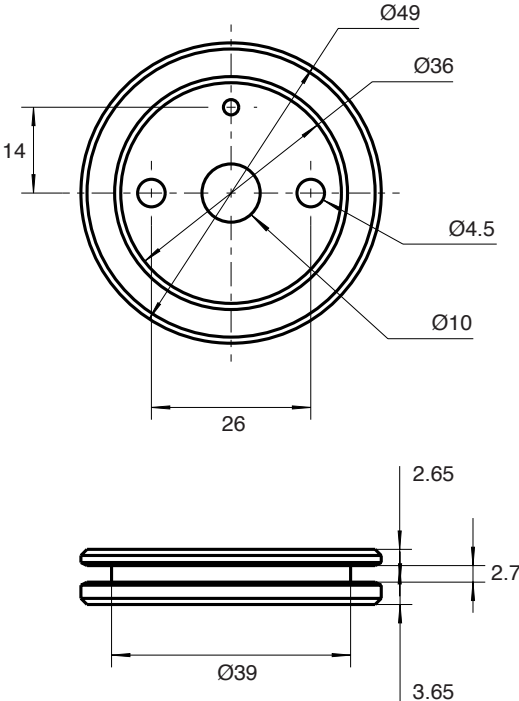
9

Now repurpose your **andro** packaging to plant some seedlings.

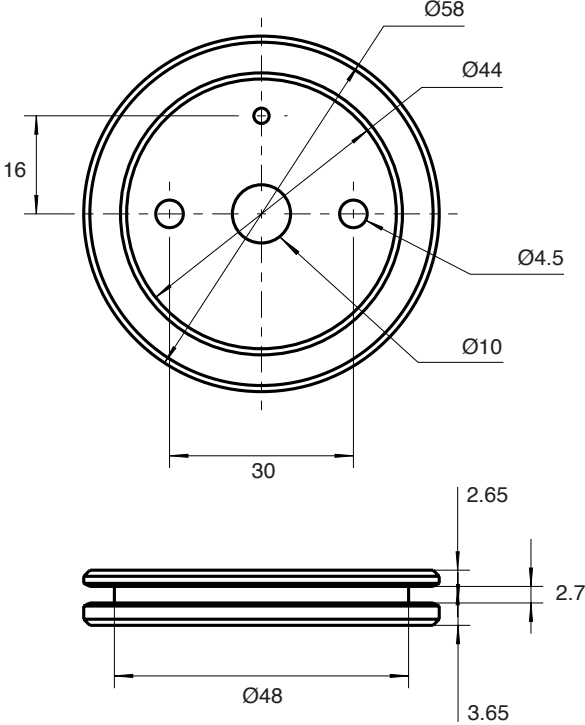


# BACK PLATE DIMENSIONS

## ANDRO XS



## ANDRO S



## ANDRO M

