

INSTALLATION GUIDE

Everything you wanted to know but were too afraid to ask

abaco

play around

ABACO TRACK MOUNTED



WHOA, HOLD IT!

- 1 Hit the off switch on any power before install.
- 2 Install must only be carried out by someone suitably qualified.
- 3 Only use the product at the specified voltage and frequency.
- 4 There is no four. It would be sweet though if you ♻️ the packaging.



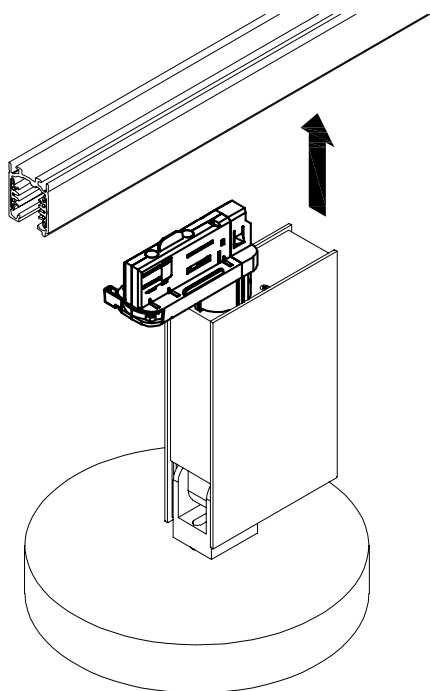
IP20

RoHS



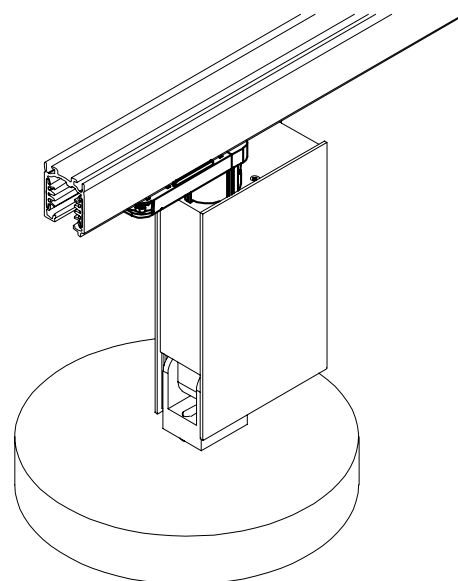
1

Carefully insert the track adapter into the track.



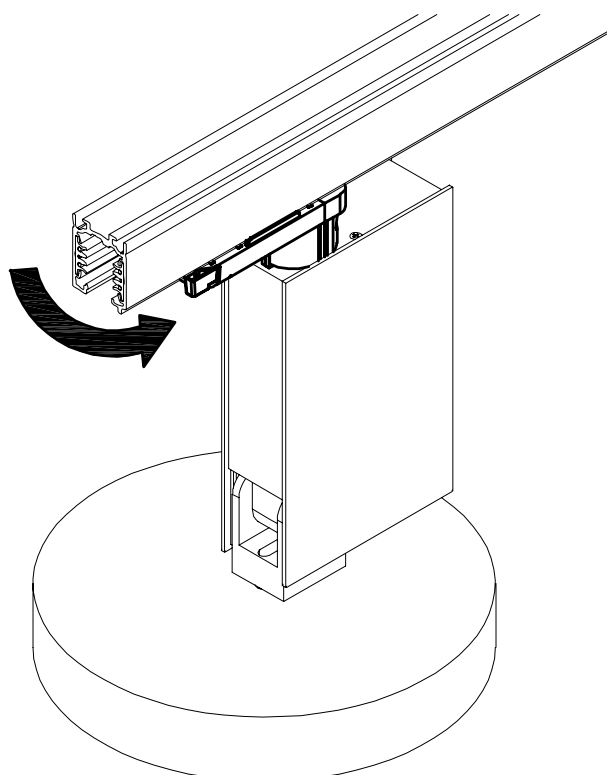
2

Rotate the latch on the adapter such that it locks into the track. Make sure that the fitting is secured in position.



3

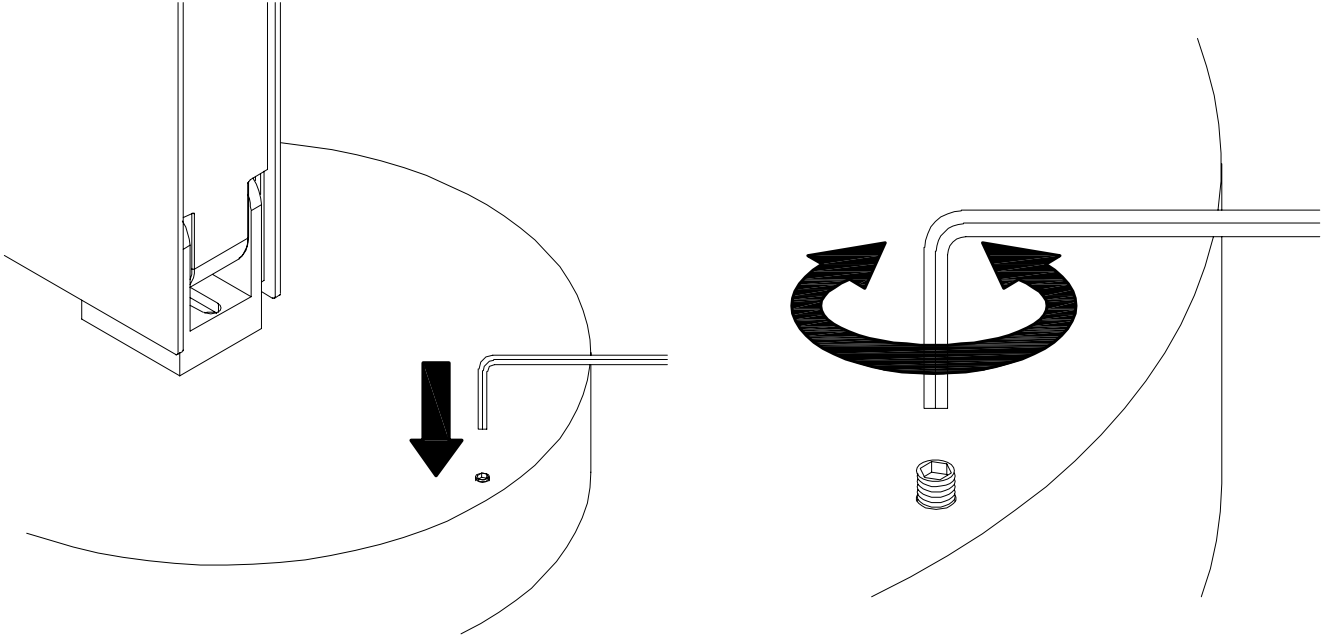
Switch the adapter to the correct circuit number in order to turn it ON and switch it back to 0 to turn it OFF.



ACRYLIC DIFFUSER REPLACEMENT

1

Remove set screw with wrench bolt.



2

Push the wrench to separate the acrylic diffuser.

