

## INSTALLATION GUIDE

Everything you wanted to know but were too afraid to ask

# abaco

play around

### ABACO FIXED SURFACE MOUNTED



#### WHOA, HOLD IT!

- 1 Hit the off switch on any power before install.
- 2 Install must only be carried out by someone suitably qualified.
- 3 Only use the product at the specified voltage and frequency.
- 4 There is no four. It would be sweet though if you ♻️ the packaging.



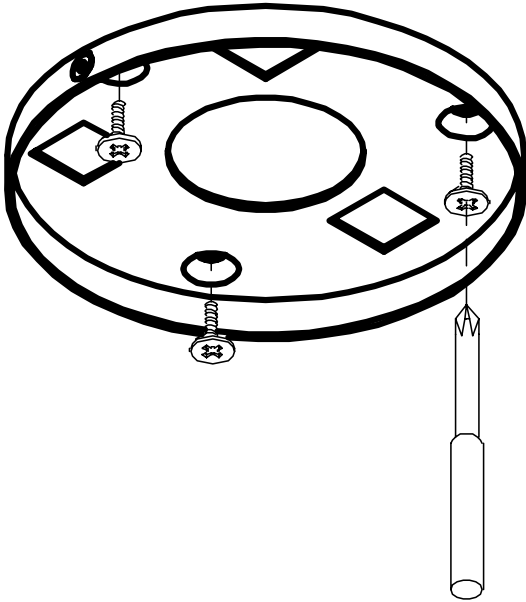
IP20

RoHS



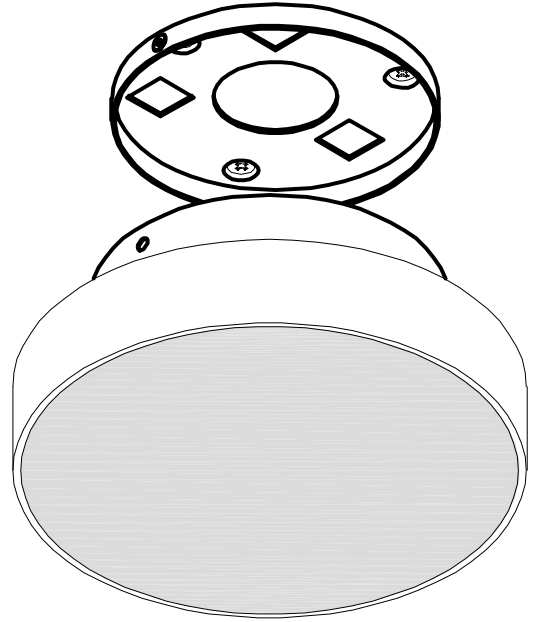
1

Make a hole in the ceiling big enough for the wire to come out.



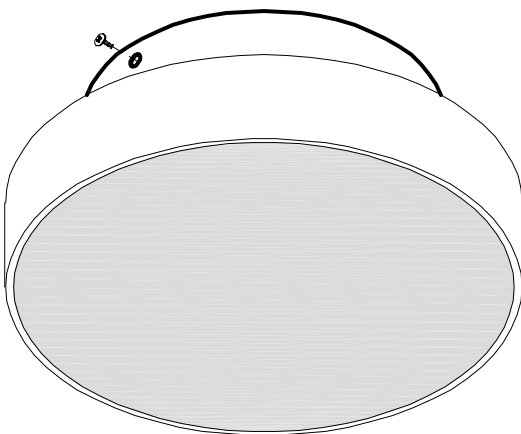
2

Fix the ceiling plate to the ceiling with the help of supplied screws, nuts and bolts.



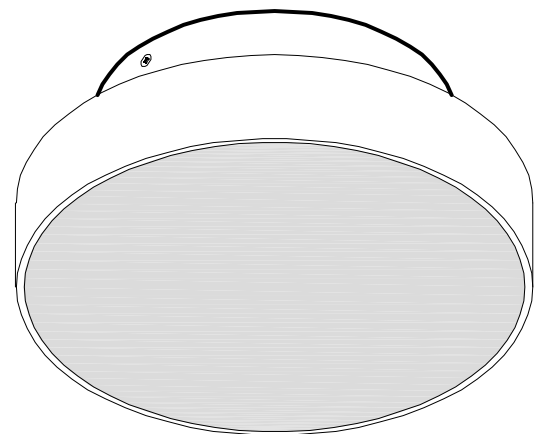
3

Connect the 240V power cable to the primary of the LED driver placed inside the fitting.



4

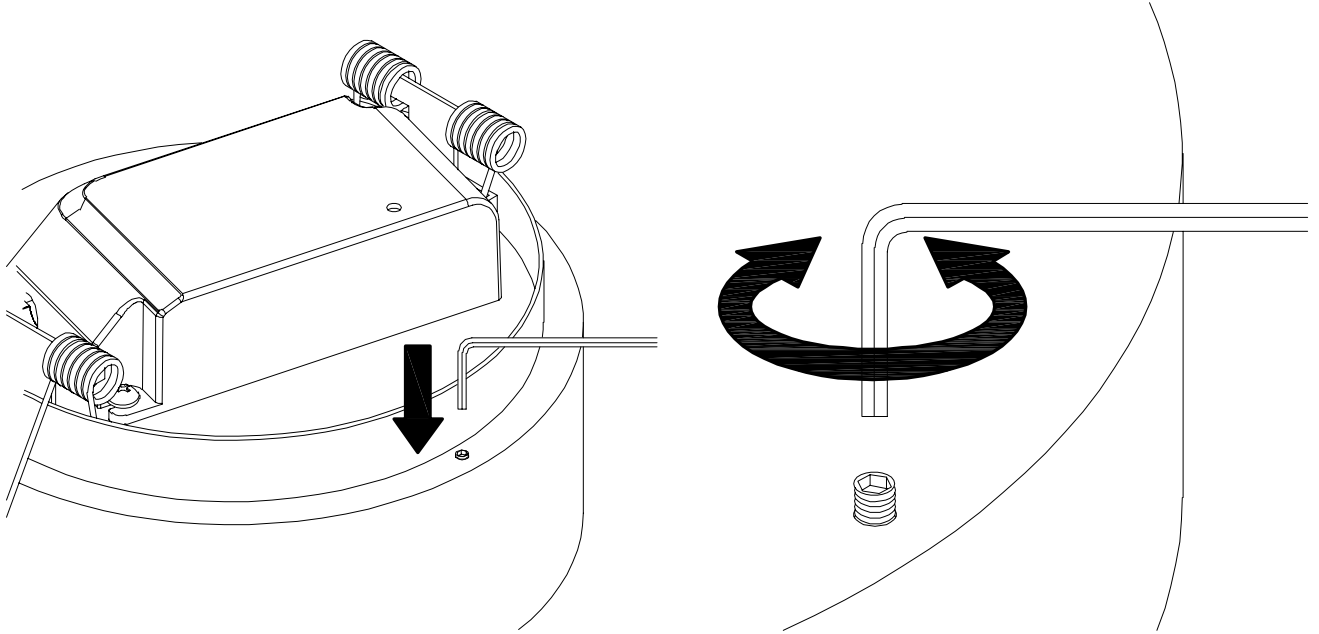
Fix the fitting onto the ceiling plate with the help of screws on the sides.



## ACRYLIC DIFFUSER REPLACEMENT

1

Remove set screw with wrench bolt.



2

Push the wrench to separate the acrylic diffuser.

