

INSTALLATION GUIDE

Everything you wanted to know but were too afraid to ask

abaco

play around

ABACO SUSPENDED (SURFACE CANOPY)



WHOA, HOLD IT!

- 1 Hit the off switch on any power before install.
- 2 Install must only be carried out by someone suitably qualified.
- 3 Only use the product at the specified voltage and frequency.
- 4 There is no four. It would be sweet though if you ♻️ the packaging.



IP20

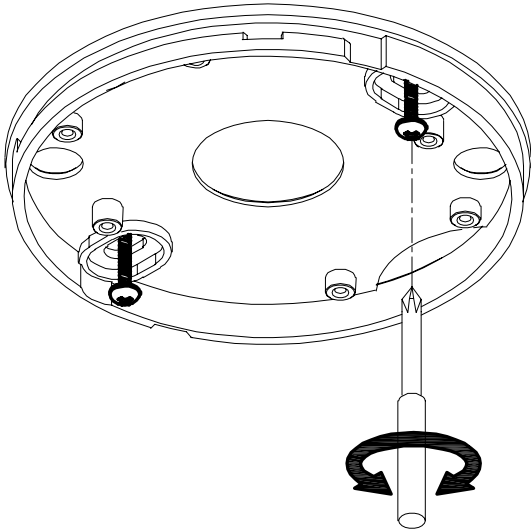
RoHS



XS/S SIZES (INTEGRAL DRIVER)

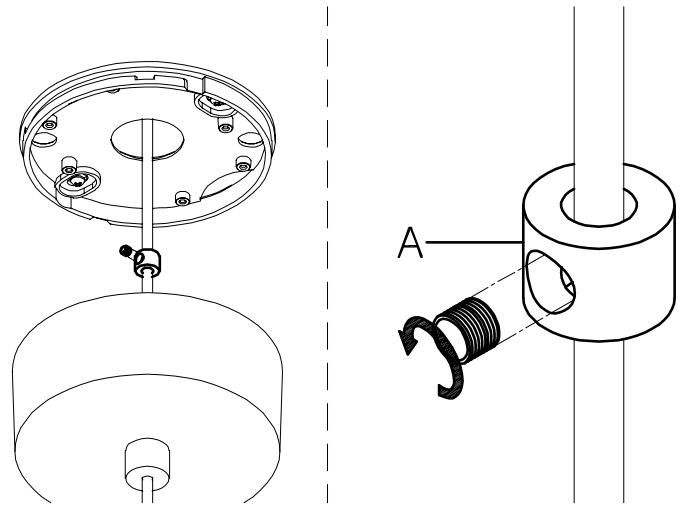
1

Fix the base plate bracket on the ceiling by two screws.



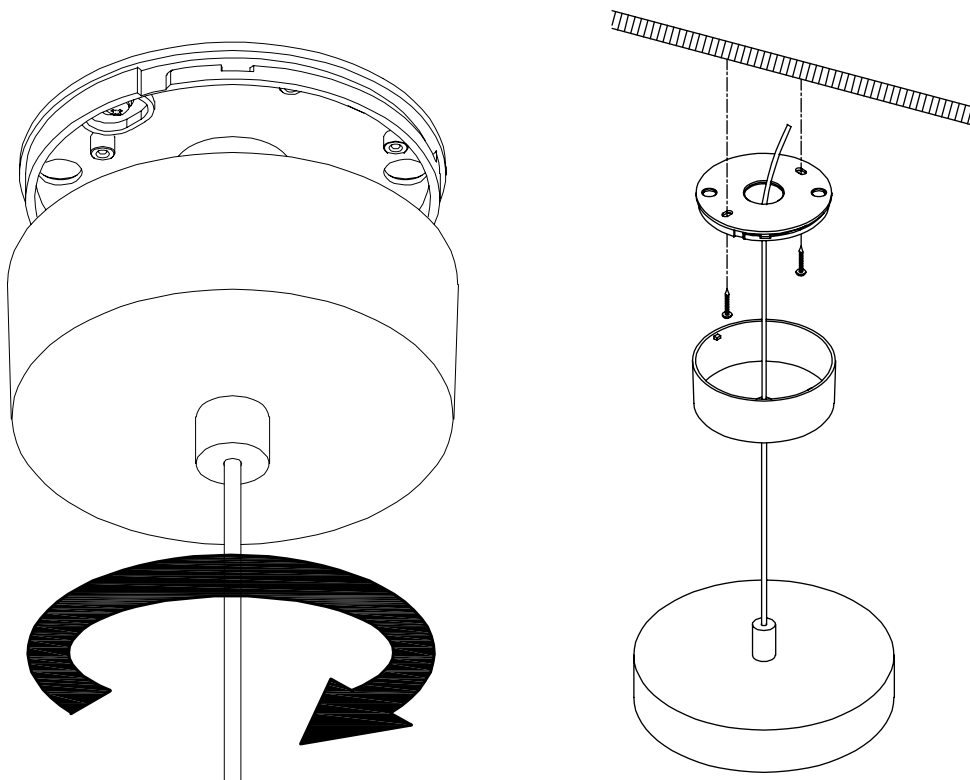
2

The wire length can be adjusted using 'A'.



3

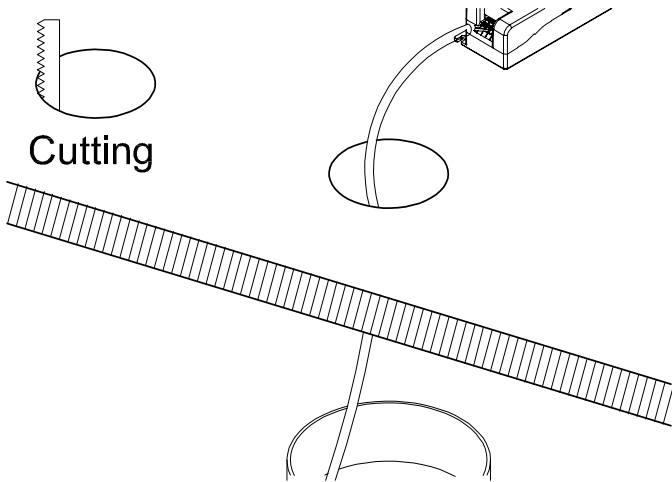
Fix the mounting ring by rotating it clockwise.



M/L SIZES (REMOTE DRIVER)

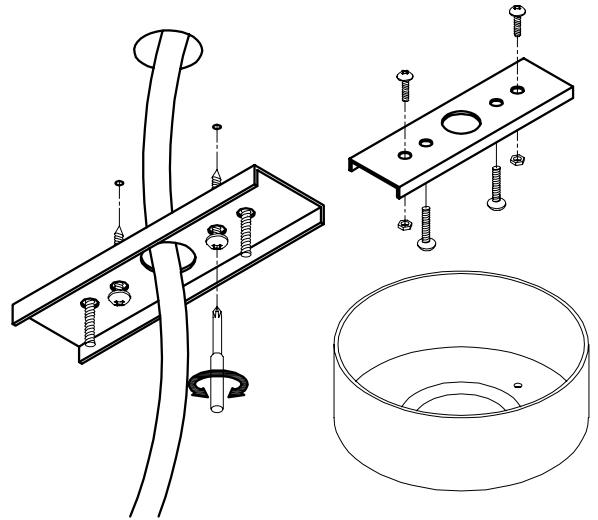
1

Punch the ceiling according to the LED Driver size.



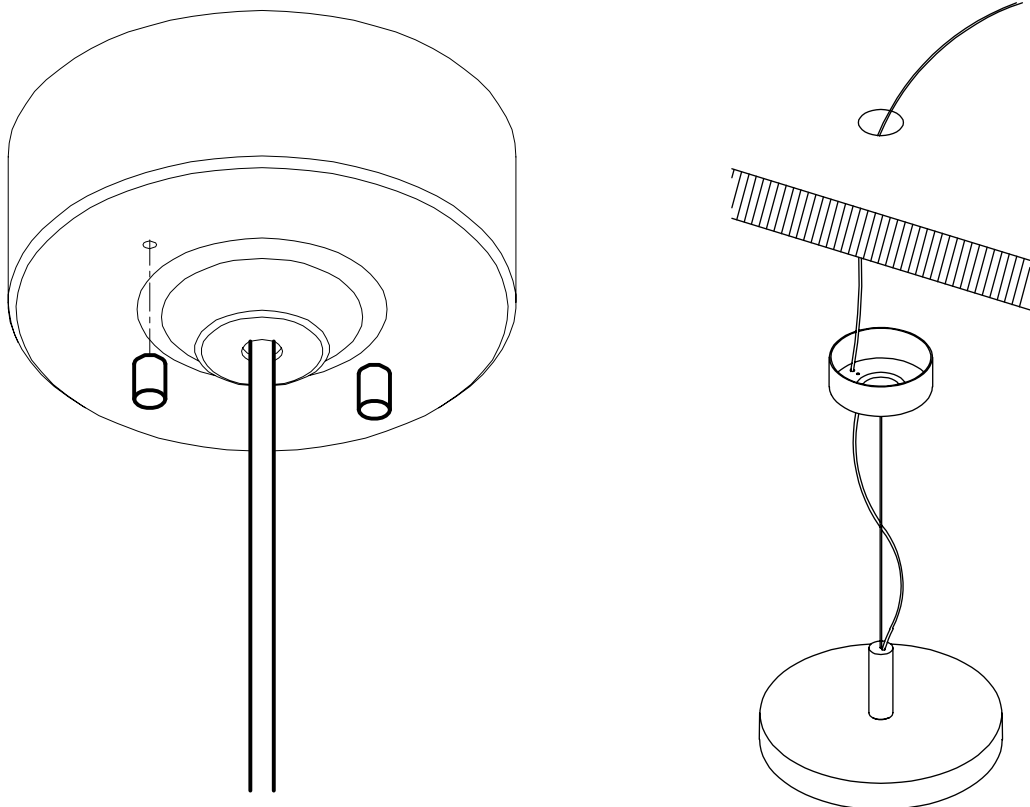
2

Connect the power (AC220) wire to the driver and place it in the ceiling. Fix the base plate bracket on the ceiling by two screws.



3

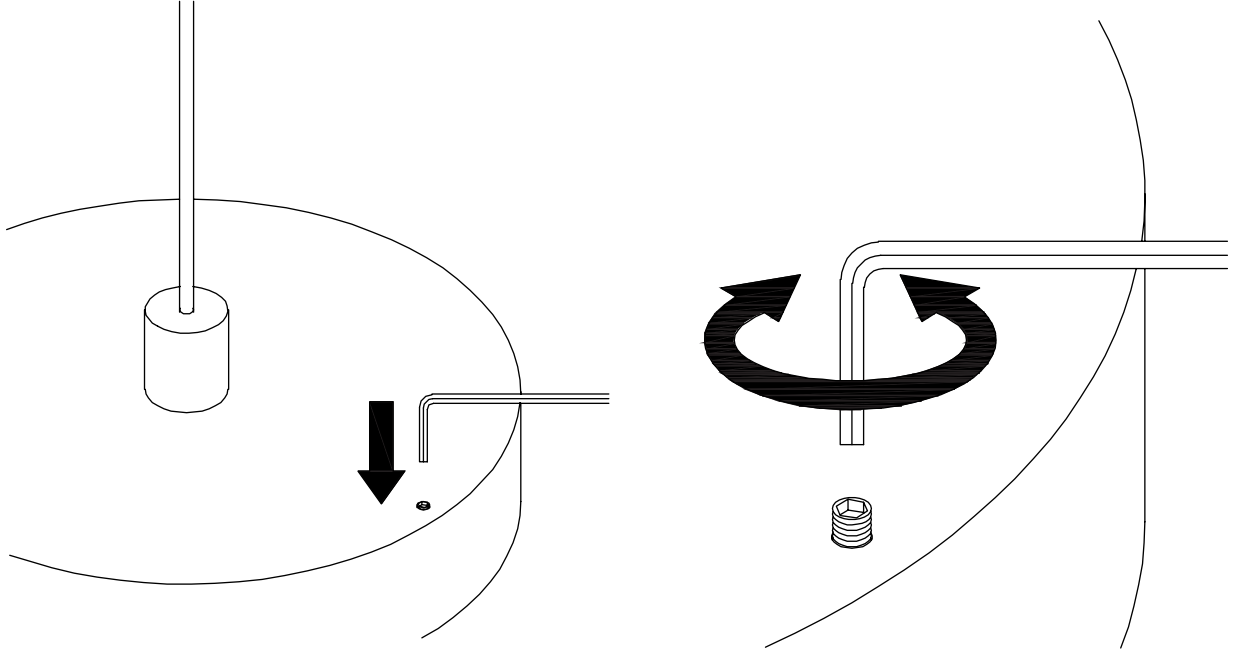
Connect flange with bracket and fix with flange fixing part.



ACRYLIC DIFFUSER REPLACEMENT

1

Remove set screw with wrench bolt.



2

Push the wrench to separate the acrylic diffuser.

